

GB Dual fuel gas oil/ gas burners

Two stage operation



RLS B₁₀

CODE	MODEL	TYPE
20034842 - 20034843	RLS 160/M MX	781 T

1	Declaration	3
2	Information and general warnings	4
2.1	Information about the instruction manual	4
2.1.1	Introduction	4
2.1.2	General dangers	4
2.1.3	Danger: live components	4
2.2	Guarantee and responsibility	5
2.3	Guidance for the use of bio fuel blends up to 10%	5
2.3.1	Information and general instructions	6
2.3.2	Product Disclaimer Statement	6
3	Safety and prevention	7
3.1	Introduction	7
3.2	Safety warnings	7
3.3	Basic safety rules	7
3.4	Personnel training	7
4	Technical description of the burner	8
4.1	Burner designation	8
4.2	Models available	8
4.3	Technical data	9
4.4	Electrical data	10
4.5	Countries of destination - Burner categories	10
4.6	Packaging - Weight	10
4.7	Overall dimensions	11
4.8	Firing rate	11
4.9	Test boiler	12
4.9.1	Commercial boilers	12
4.10	Burner description	13
4.11	Standard equipment	13
5	Installation	14
5.1	Notes on safety for the installation	14
5.2	Handling	14
5.3	Preliminary checks	14
5.4	Installer/Service notes for the use of Gas oil with Bio blends up to 10%	15
5.5	Operating position	15
5.6	Boiler plate	15
5.7	Blast tube length	16
5.8	Securing the burner to the boiler	16
5.8.1	Combustion head calibration	16
5.9	Nozzle installation	17
5.9.1	Choice of nozzles for 1st and 2nd stage	17
5.9.2	Nozzle assembly	17
5.10	Servomotor	18
5.11	Gas oil supply	19
5.11.1	Double-pipe circuit	19
5.11.2	Single-pipe circuit	20
5.12	Hydraulic system layout	20
5.13	Hydraulic connections	21
5.14	Pump	21
5.14.1	Technical data	21
5.14.2	Pump priming	21
5.15	Gas supply	22
5.15.1	Gas line	22
5.15.2	Gas train	22
5.16	Gas pressure	23

6	Electrical system	24
6.1	Notes on safety for the electrical wiring	24
6.2	Electrical connections	25
6.3	Current to the UV photocell.....	25
7	Start-up, calibration and operation of the burner	26
7.1	Notes on safety for the first start-up	26
7.2	Adjustment before first firing (gas oil operation)	26
7.2.1	Combustion head setting	26
7.2.2	Pump adjustment	26
7.2.3	Fan gate adjustment	26
7.3	Burner calibration (gas oil operation)	26
7.3.1	Firing	26
7.3.2	Operation	26
7.4	Adjustment before first firing (gas operation)	27
7.5	Burner starting (gas operation)	28
7.6	Burner firing (gas operation)	28
7.7	Burner calibration (gas operation).....	28
7.7.1	First firing output	28
7.7.2	MAX burner output.....	28
7.7.3	MIN burner output	29
7.7.4	Intermediate outputs	30
7.7.5	Air pressure switch.....	30
7.7.6	Maximum gas pressure switch.....	30
7.7.7	Minimum gas pressure switch.....	30
7.8	Gas combustion checks	31
7.9	Burner operation	31
7.9.1	Burner flame goes out during operation.....	31
8	Maintenance	32
8.1	Notes on safety for the maintenance	32
8.2	Maintenance programme	32
8.2.1	Maintenance frequency.....	32
8.2.2	Checking and cleaning.....	32
8.3	Opening the burner	34
8.4	Closing the burner.....	34
9	Faults - Possible causes - Solutions	35
A	Appendix - Accessories (optional)	39
B	Appendix - Electrical panel layout	40

1 Declaration

Declaration of conformity in accordance with ISO / IEC 17050-1

Manufacturer: RIELLO S.p.A.
 Address: Via Pilade Riello, 7
 37045 Legnago (VR)
 Product: Dual fuel gas oil/ gas burner
 Model: RLS 160/M MX

These products are in compliance with the following Technical Standards:
 EN 676
 EN 267
 EN 12100

and according to the European Directives:

GAD	90/396/EEC	Gas Devices Directive
MD	2006/42/EC	Machine Directive
LVD	2006/95/EC	Low Voltage Directive
EMC	2004/108/EC	Electromagnetic Compatibility

Such products are marked as follows:



CE-0085BP0175

The quality is guaranteed by a quality and management system certified in accordance with UNI EN ISO 9001.

Manufacturer's Declaration

RIELLO S.p.A. declares that the following products comply with the NOx emission limits specified by German standard "1. BIm-SchV release 26.01.2010".

Product	Type	Model	Power
Dual fuel gas oil/ gas burner	781 T	RLS 160/M MX	300 - 1840 kW

Legnago, 17.10.2012

Mr. I. Zinna
 Burners Division Department
 RIELLO S.p.A.

2 Information and general warnings

2.1 Information about the instruction manual

2.1.1 Introduction

The instruction manual supplied with the burner:

- is an integral and essential part of the product and must not be separated from it; it must therefore be kept carefully for any necessary consultation and must accompany the burner even if it is transferred to another owner or user, or to another system. If the manual is lost or damaged, another copy must be requested from the Technical Assistance Service of the area;
- is designed for use by qualified personnel;
- offers important indications and instructions relating to the installation safety, start-up, use and maintenance of the burner.

Symbols used in the manual

In some parts of the manual you will see triangular DANGER signs. Pay great attention to these, as they indicate a situation of potential danger.

2.1.2 General dangers

The **dangers** can be of **3 levels**, as indicated below.



Maximum danger level!
This symbol indicates operations which, if not carried out correctly, cause serious injury, death or long-term health risks.



This symbol indicates operations which, if not carried out correctly, may cause serious injury, death or long-term health risks.



This symbol indicates operations which, if not carried out correctly, may cause damage to the machine and/or injury to people.

2.1.3 Danger: live components



This symbol indicates operations which, if not carried out correctly, lead to electric shocks with lethal consequences.

Other symbols



ENVIRONMENTAL PROTECTION

This symbol gives indications for the use of the machine with respect for the environment.

- This symbol indicates a list.

Abbreviations used

Ch.	Chapter
Fig.	Figure
Page	Page
Sec.	Section
Tab.	Table

Delivery of the system and the instruction manual

When the system is delivered, it is important that:

- the instruction manual is delivered to the user by the system manufacturer, with the recommendation to keep it in the room where the heat generator is to be installed.
- The instruction manual shows:
 - the serial number of the burner;

.....

- the address and telephone number of the nearest Assistance Centre.

.....

- The system supplier must carefully inform the user about:
 - the use of the system;
 - any further tests that may be required before activating the system;
 - maintenance, and the need to have the system checked at least once a year by a representative of the manufacturer or another specialised technician.

To ensure a periodic check, the manufacturer recommends the drawing up of a Maintenance Contract.

2.2 Guarantee and responsibility

The manufacturer guarantees its new products from the installation date, in accordance with the regulations in force and/or the sales contract. At the moment of the first start-up, check that the burner is integral and complete.



Failure to observe the information given in this manual, operating negligence, incorrect installation and carrying out of non authorised modifications will result in the annulment by the manufacturer of the guarantee that it supplies with the burner.

In particular, the rights to the guarantee and the responsibility will no longer be valid, in the event of damage to things or injury to people, if such damage/injury was due to any of the following causes:

- incorrect installation, start-up, use and maintenance of the burner;
- improper, incorrect or unreasonable use of the burner;
- intervention of unqualified personnel;
- carrying out of unauthorised modifications on the equipment;
- use of the burner with safety devices that are faulty, incorrectly applied and/or not working;
- installation of untested supplementary components on the burner;
- powering of the burner with unsuitable fuels;
- faults in the fuel supply system;
- continuation of use of the burner when a fault has occurred
- repairs and/or overhauls incorrectly carried out;
- modification of the combustion chamber with inserts that prevent the regular development of the structurally established flame;
- insufficient and inappropriate surveillance and care of those burner components most likely to be subject to wear and tear;
- the use of non-original components, including spare parts, kits, accessories and optional;
- force majeure.

The manufacturer furthermore declines any and every responsibility for the failure to observe the contents of this manual.

Riello warranty is subject to correct burner, appliance and application matching, and set up in line with Riello's instructions and guidelines. All components within the hydraulic circuit suitable for bio fuel use and supplied by Riello will be identified as Bio compatible. No warranty is given in relation to the use of components which are not so identified with bio fuel blends. If in any doubt please contact Riello for further advice.

If any Riello burners are used with fuel with a bio content >10% then the components within the hydraulic circuit maybe affected and are not covered under warranty. The hydraulic circuit consists of;

- Pump
 - Hydraulic ram (where applicable)
 - Valve block
 - Flexible oil lines (considered as a consumable component)
1. Irrespective of any warranty given by Riello in relation to normal use and manufacturing defects, when fuels not meeting the relevant standards are used, or where fuel storage issues have not been addressed correctly, or the equipment used is not compatible, if failures occur which are directly or indirectly attributed to such issues and/or to the non-observance of this guidance, then no warranty or liability is implied or accepted by Riello.
 2. Riello have carefully chosen the specification of the bio compatible components including the flexible oil lines to protect the pump, safety valve and nozzle. The Riello warranty is dependent upon the use of Riello genuine components including the oil lines, being used.
 3. Riello warranty does not cover defects arising from incorrect commissioning or servicing by non Riello employed service engineers, and any issues impacting the burner arising from external site related issues.

2.3 Guidance for the use of bio fuel blends up to 10%

Background

With increasing focus on renewable and sustainable energy requirements, Bio fuel usage is set to increase. Riello is committed to promoting energy conservation and the use of renewable energy from sustainable resources including liquid bio fuels, however there are some technical aspects that must be considered at the planning stage of using such fuels to reduce the potential for equipment failure or the risks of fuel leakage.

Liquid Bio fuel is a generic description used for oil that can come from numerous feed stocks including recycled cooking oils. These types of oils have to be considered and treated differently from standard mineral or fossil fuels, as they are generally more acidic, hygroscopic and less stable.

Due to this, a holistic approach is needed from the specification of the liquid Bio fuel, the storage of the fuel, its oil supply line and ancillary equipment, and very importantly the oil filtration and the burner itself. The specification for FAME (Fatty Acids Methyl Ester) liquid Bio fuel is critical to reliable equipment operation.

It is a minimum requirement that the fuel blend (up to 10% Bio) is obtained with gasoil in accordance with the relevant EN standards, regional regulations and FAME in accordance with EN 14214. It is also important that the fuel blends meet the requirements related to operational environment conditions within the relevant EN standards.

When choosing your Riello oil products where you know Bio fuels will be in use, please make sure that a Bio compatible burner and/or components have been supplied. If an existing burner is to be used with a liquid Bio fuel then a kit may be required to make it compatible and the guidance notes enclosed concerning oil storage and filtration must be adhered to. The end user is responsible for the thorough verification of the potential risks associated with the introduction of a bio fuel blend and the suitability of the appliances and installation applicable.

Irrespective of any warranty given by Riello in relation to normal use and manufacturing defects, when fuels not meeting the relevant standards are used, or where fuel storage issues have not been addressed correctly, or the equipment used is not compatible, if failures occur which are directly or indirectly attributed to such issues and/or to the non-observance of this guidance, then no warranty or liability is implied or accepted by Riello.

2.3.1 Information and general instructions

To ensure consistency, the supplier of the fuel must be able to demonstrate compliance with a recognised Quality Control and management system to ensure high standards are maintained within the storage, blending and delivery processes. The installation oil storage tank and its ancillaries must also be prepared BEFORE liquid Bio fuel is introduced. Checks and preparation should include;

- For new installations, make sure that all materials and seals in the oil storage and supply line to the burner are compatible with Bio fuels. For all installations, there must be a good quality bio compatible oil filter at the tank and then a secondary filter of 100 Microns protecting the burner from contamination.
- If an existing oil storage tank is to be used then in addition to the materials checks as detailed above, it will be essential that the tank is first inspected for condition and checked for water or other contamination. Riello strongly recommends that the tank is cleaned and oil filters replaced prior to Bio fuel delivery. If this is not completed then due to the hydroscopic nature of Bio fuel, it will effectively clean the tank, absorb water present which in turn will result in equipment failure that is not covered by the manufacturer's warranty.
- Depending on the capacity of the oil storage tank and oil usage, fuels may remain static within the tank for some considerable time and so Riello recommends that the oil distributor is consulted regarding the use of additional Biocides within the fuel to prevent microbial growth from occurring within the tank. . Riello suggests that fuel suppliers and or service companies are contacted for guidance on fuel filtration. Special attention should be applied to fuel applications where oil may be stored for long periods of time.
- The burner must be set according to the appliance application and commissioned checking that all combustion parameters are as recommended in the appliance technical manual.
- Riello recommends that the in line and burner oil pump filters are inspected and if required replaced at least every 4 months during burner use, before the burner start-up following a long period of discontinue operation and even more frequently where contamination has occurred. Particular attention is needed when inspecting and checking for fuel leakages from seals, gaskets and hoses.

2.3.2 Product Disclaimer Statement

CAREFULLY READ THE FOLLOWING DISCLAIMER. YOU ACCEPT AND AGREE TO BE BOUND BY THIS DISCLAIMER BY PURCHASING RIELLO BIO COMPATIBLE BURNERS AND/OR COMPONENTS.

Although the information and recommendations (hereinafter "Information") in this guidance is presented in good faith, believed to be correct and has been carefully checked, Riello (and its subsidiaries) makes no representations or warranties as to the completeness or accuracy of the Information. Information is supplied upon the condition that the persons receiving same will make their own determination as to its suitability for their purposes prior to use. In no event will Riello (and its subsidiaries) be responsible for damages of any nature whatsoever resulting from the use of or reliance upon Information.

Other than set forth herein, Riello (and its subsidiaries) makes no additional warranties with respect to the bio compatible burner, either express or implied, including that of merchantability or fitness for a particular purpose or use.

In no event shall Riello (and its subsidiaries) be liable for any indirect, incidental, special or consequential damages including, without limitation, loss of profits, damages for loss of business profits, business interruption, loss of business information, loss of equipment, or other pecuniary loss or compensation for services whether or not it is advised of the possibility of such damages.

With the exception of injuries to persons, Riello's liability is limited to the customer's right to return defective/non-conforming products as provided by the relevant product warranty.

3 Safety and prevention

3.1 Introduction

The burners have been designed and built in compliance with current regulations and directives, applying the known technical rules of safety and envisaging all the potential danger situations.

It is necessary, however, to bear in mind that the imprudent and clumsy use of the equipment may lead to situations of death risk for the user or third parties, as well as the damaging of the burner or other items. Inattention, thoughtlessness and excessive confidence often cause accidents; the same applies to tiredness and sleepiness.

It is a good idea to remember the following:

- The burner must only be used as expressly described. Any other use should be considered improper and therefore dangerous.

In particular:

it can be applied to boilers operating with water, steam, diathermic oil, and to other uses expressly named by the manufacturer;

the type and pressure of the fuel, the voltage and frequency of the electrical power supply, the minimum and maximum deliveries for which the burner has been regulated, the pressurisation of the combustion chamber, the dimensions of the combustion chamber and the room temperature must all be within the values indicated in the instruction manual.

- Modification of the burner to alter its performance and destinations is not allowed.
- The burner must be used in exemplary technical safety conditions. Any disturbances that could compromise safety must be quickly eliminated.
- Opening or tampering with the burner components is not allowed, apart from the parts requiring maintenance.
- Only those parts detailed as available as spare parts by the Manufacturer can be replaced.

3.2 Safety warnings

The dimension of the boiler's combustion chamber must respond to specific values, in order to guarantee a combustion with the lowest polluting emissions rate.

The Technical Service Personnel will be glad to give you all the information for a correct matching of this burner to the boiler.

This burner must only be used for the application it was designed for.

The manufacturer accepts no liability within or without the contract for any damage caused to people, animals and property due to installation, adjustment and maintenance errors or to improper use.

3.3 Basic safety rules

- Children or inexperienced persons must not use the appliance.
- Under no circumstances must the intake grids, dissipation grids and ventilation vents in the installation room be covered up with cloths, paper or any other material.
- Unauthorised persons must not attempt to repair the appliance.
- It is dangerous to pull or twist the electric leads.
- Cleaning operations must not be performed if the appliance is not disconnected from the main power supply.
- Do not clean the burner or its parts with inflammable substances (e.g. petrol, alcohol, etc.). The cover must be cleaned with soapy water.
- Do not place anything on the burner.
- Do not block or reduce the size of the ventilation vents in the installation room.
- Do not leave containers and inflammable products or combustible materials in the installation room.

3.4 Personnel training

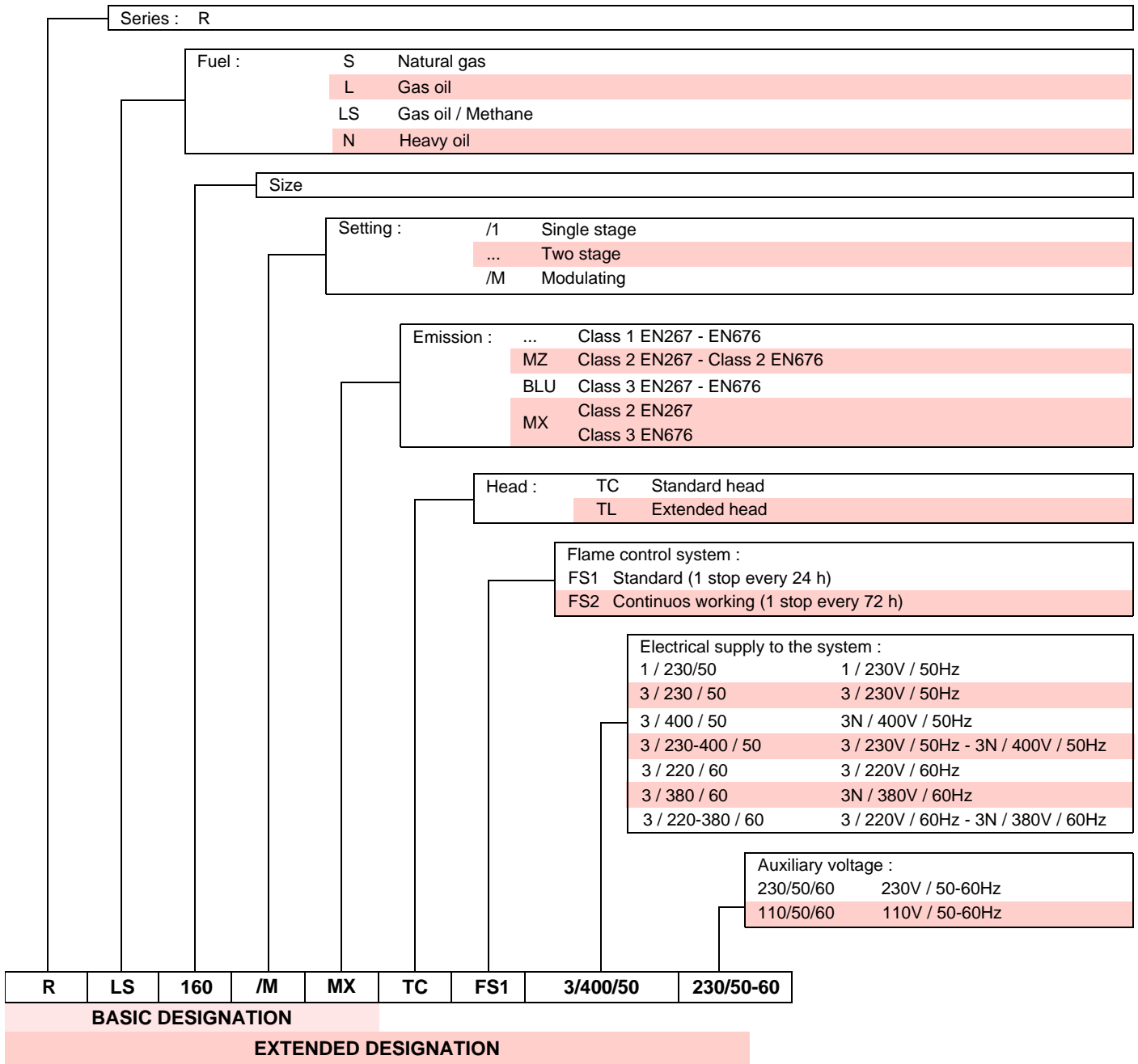
The user is the person, body or company that has acquired the machine and intends to use it for the specific purpose. He is responsible for the machine and for the training of the people working around it.

The user:

- undertakes to entrust the machine exclusively to suitably trained and qualified personnel;
- must take all the measures necessary to prevent unauthorised people gaining access to the machine;
- undertakes to inform his personnel in a suitable way about the application and observance of the safety instructions. With that aim, he undertakes to ensure that everyone knows the use and safety instructions for his own duties;
- must inform the manufacturer if faults or malfunctioning of the accident prevention systems are noticed, along with any presumed danger situation.
- Personnel must always use the personal protective equipment envisaged by legislation and follow the indications given in this manual.
- Personnel must observe all the danger and caution indications shown on the machine.
- Personnel must not carry out, on their own initiative, operations or interventions that are not within their province.
- Personnel must inform their superiors of every problem or dangerous situation that may arise.
- The assembly of parts of other makes, or any modifications, can alter the characteristics of the machine and hence compromise operating safety. The manufacturer therefore declines any and every responsibility for any damage that may be caused by the use of non-original parts.

4 Technical description of the burner

4.1 Burner designation



4.2 Models available

Designation	Electrical supply	Code
RLS 160/M TC	3/400/50	20034842
RLS 160/M TL	3/400/50	20034843

4.3 Technical data

Model				RLS 160/M MX	
Type				781 T	
				Flame stability disk WITH circular sectors 3)(Fig. 11)	Flame stability disk WITHOUT circular sectors 3)(Fig. 11)
Output (1) Delivery (1)	Gas oil	2 nd stage (min - max)	kW kg/h	965 - 1846 81 - 155	1132 - 2013 95 - 169
		1 st stage (min)	kW kg/h	488 41	560 47
	Natural gas	2 nd stage (min - max)	kW kg/h	940 - 1730	940 - 1840
		1 st stage (min)	kW kg/h	300	300
Fuel				Gas oil, viscosity at 20 °C: 6 mm ² /s max (1,5 °E - 6 cSt) Gas oil and Blends of gas oil and bio fuel (FAME in accordance with EN 14214) up to 10% Natural gas: G20 (methane) - G21 - G22 - G23 - G25	
Gas pressure at maximum delivery (2) Gas: G20 / G25			mbar	14 / 21	
Operation				<ul style="list-style-type: none"> - Intermittent (min. 1 stop in 24 hours) - Gas oil: two stage (high and low flame) and single-stage (all - nothing) - Gas: progressive two stage or modulating by kit (see accessoires) 	
Nozzles			number	2	
Standard applications				Boilers: water, steam, diathermic oil	
Ambient temperatur			°C	0 - 40	
Combustion air temperature			°C max	60	
Pump	delivery (at 12 bar)		kg/h	230	
	pressure range		bar	10 - 21	
	fuel temperatur		° C max	90	
Noise levels (3)			dB(A)	80.5	

Tab. A

- (1) Reference conditions: ambient temperature 20°C - Barometric pressure 1013 mbar - Altitude 0 m a.s.l.
 (2) Pressure at test point 4)(Fig. 6 at page 13) with zero pressure in the combustion chamber and maximum burner output.
 (3) Sound pressure measured in manufacturer's combustion laboratory, with burner operating on test boiler and at maximum rated output.

4.4 Electrical data

Motor IE1

Electrical supply	V/Ph/Hz	400/3/50
Auxiliary power supply	V/Ph/Hz	230/3/50
Electric motors	rpm	2860
Fan motor	V	400
	W	4500
	A	9.1
Pump motor	V	220/240
	W	550
	A	3.6
Pump motor capacitor	µF	25
Ignition transformer	V1 - V2	230 V - 2 x 5 kV
	I1 - I2	1.9 A - 30 mA
Electrical power consumption	W max	6000
Electrical protection		IP 44

Motor IE2

Electrical supply	V/Ph/Hz	400/3/50
Auxiliary power supply	V/Ph/Hz	230/3/50
Electric motors	rpm	2900
Fan motor	V	400
	W	4500
	A	8.7
Pump motor	V	220/240
	W	550
	A	3.6
Pump motor capacitor	µF	25
Ignition transformer	V1 - V2	230 V - 2 x 5 kV
	I1 - I2	1.9 A - 30 mA
Electrical power consumption	W max	6000
Electrical protection		IP 44

4.5 Countries of destination - Burner categories

Country of destination	Gas category
IT - AT - GR - DK - FI - SE - EE - CZ - HU - LT - SK - BG - LV - SI - PL	I ² H3B/P
ES - GB - IE - PT	I ² H3P
NL	I ² L3B/P
FR	I ² E _r 3P
DE	I ² ELL3B/P
BE	I ² E(R)B, I ³ P
LU - PL	I ² E3B/P
NO - CY - MT	I ³ B/P
RO	I ² H

4.6 Packaging - Weight

- The burners stand on a wooden base which can be lifted by fork-lifts. Outer dimensions of packaging are indicated in Tab. B.
- The weight of the burner complete with packaging is indicated in Tab. B.

mm	A ⁽¹⁾	B	C	kg
RLS 160/M MX	1270 - 1400	750	900	95

Tab. B

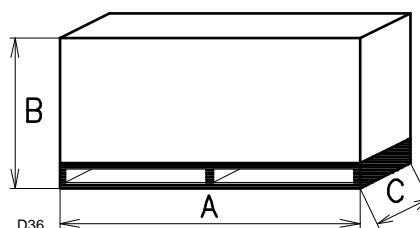


Fig. 1

4.7 Overall dimensions

The maximum dimensions of the burner are given in Fig. 2.

Bear in mind that inspection of the combustion head requires the burner to be opened and the rear part withdrawn on the slide bars.

The maximum dimension of the burner when open, without casing, is give in measurement I.

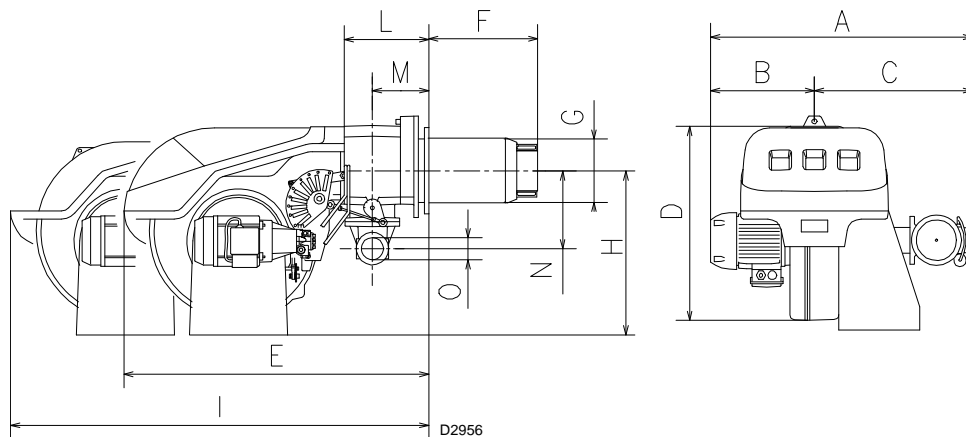


Fig. 2

mm	A	B	C	D	E	F ⁽¹⁾	G	H	I ⁽¹⁾	L	M	N	O
RLS 160/M MX	843	366	477	555	863	373-503	221	430	1442-1587	237	141	186	Rp2

Tab. C

⁽¹⁾ Blast tube: short-long

4.8 Firing rate

During operation, burner output varies between:

- a **MAXIMUM OUTPUT**, selected within area A,
- a **MINIMUM OUTPUT**, which must not be lower than the minimum limit in the diagram.



The firing rate value (Fig. 3) has been obtained considering an ambient temperature of 20 °C, an atmospheric pressure of 1013 mbar (approx. 0 m above sea level), and with the combustion head adjusted as shown on page 26.

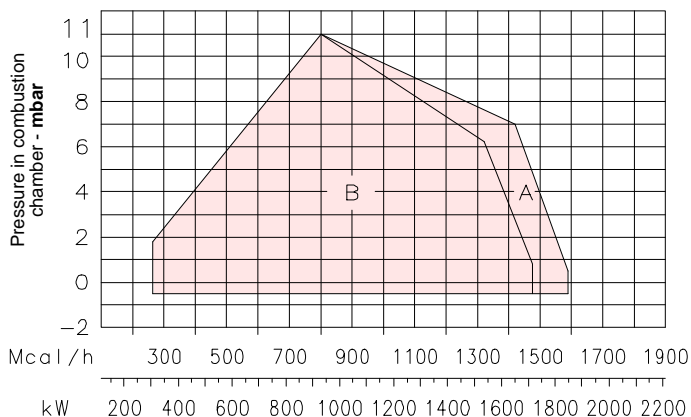


Fig. 3

4.9 Test boiler

The firing rates were set in relation to special test boilers, according to EN 676 regulations.

Fig. 4 indicates the diameter and length of the test combustion chamber.

Example:

output 650 Mcal/h: diameter 60 cm - length 2 m.

4.9.1 Commercial boilers

The burners are suitable for operation on either flame-inversion boilers* or boilers with combustion chambers featuring flow from the base (three flue passes) on which the best results are obtained in terms of low NOx emissions.

The maximum thickness of the boiler's front door must not exceed 250 mm (Fig. 5).

The burner-boiler match is assured where the boiler is EC type-approved; for boilers and furnaces with combustion chambers featuring dimensions differing considerably from those given in the diagram (Fig. 4), it is advisable to perform preliminary tests.

(*) For flame inversion boilers, a kit is available to reduce CO emissions if required.

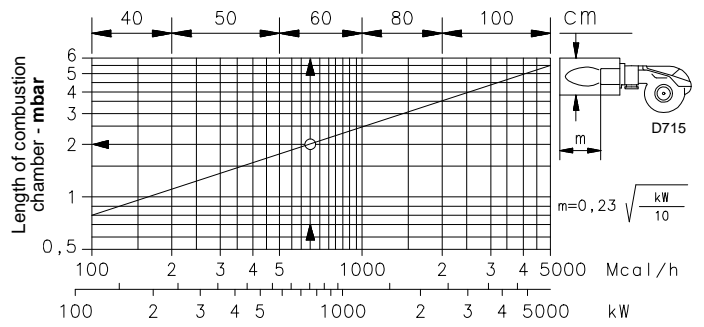


Fig. 4

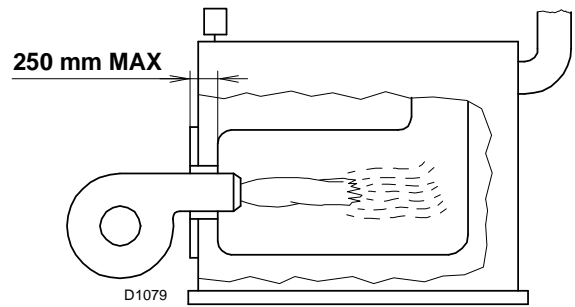


Fig. 5

4.10 Burner description

- 1 Flame stability disk
- 2 Ignition electrodes
- 3 Combustion head
- 4 Gas pressure test point and head fixing screw
- 5 Screw securing fan to sleeve
- 6 OIL/GAS selector
- 7 Relay
- 8 Slide bars for opening the burner and inspecting the combustion head
- 9 Control box with lock-out pilot light and lock-out reset button
- 10 Air gate valve
- 11 Air inlet to fan
- 12 Gas input pipework
- 13 Gas butterfly valve
- 14 Screw for combustion head adjustment
- 15 Sleeve with flange for securing the burner to the boiler
- 16 Max. gas pressure switch
- 17 Cell UV
- 18 Servomotor controlling the gas butterfly valve and of air gate valve (by means of a variable profile cam mechanism).
When the burner is not operating the air gate valve is fully closed in order to reduce heat dispersion from the boiler due to the flue draught which draws air from the fan suction inlet.
- 19 Fan motor
- 20 Extensions for slide bars 8)
- 21 Power switch for different operations:
automatic - manual - off
Button for: Power increase - power reduction
- 22 Motor contactor and thermal relay with reset button
- 23 Bracket for mounting the power regulator RWF40
- 24 Terminal strip
- 25 Fairleads for electrical connections by installer
- 26 Flame inspection window
- 27 Minimum air pressure switch (differential operating type)
- 28 Pump motor
- 29 Pump
- 30 Safety solenoid valve
- 31 1st and 2nd stage valves
- 32 Air pressure test point

Two types of burner failure may occur:

Control box lock-out:

if the control box 9)(Fig. 6) pushbutton lights up, it indicates that the burner is in lock-out. To reset, press the pushbutton.

Motor trip:

release by pressing the pushbutton on thermal relay 22)(Fig. 6).

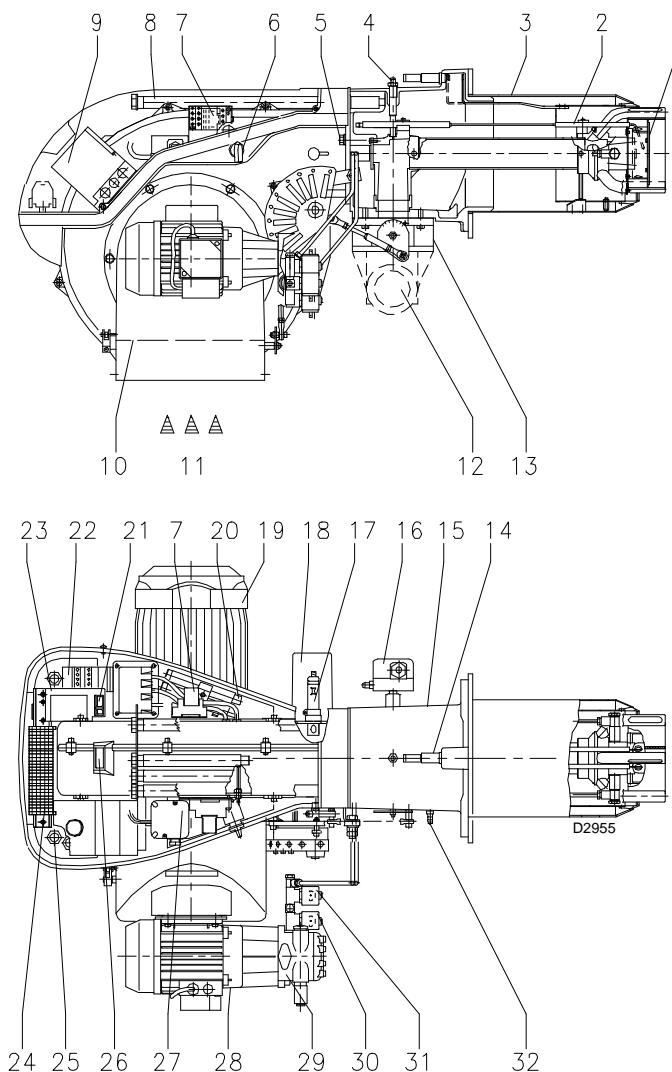


Fig. 6

4.11 Standard equipment

- 1 - Gas train flange
- 1 - Flange gasket
- 4 - Flange fixing screws M 10 x 40 to the butterfly valve
- 1 - Thermal insulation screen
- 4 - Screws to secure the burner sleeve with flange to the boiler: M 16 x 40
- 2 - Hoses
- 2 - Nipples for flexible hoses with gasket
- 2 - Extensions for slide bars 8)(Fig. 6)
(for models with 1551 mm blast tube)
- 1 - Instruction booklet
- 1 - Spare parts list



In case of use with gas oil containing up to 10% Bio blend, it will be essential to use flexible oil lines suitable for bio fuel use. Please contact Riello for further information.

5 Installation

5.1 Notes on safety for the installation

After carefully cleaning all around the area where the burner will be installed, and arranging the correct lighting of the environment, proceed with the installation operations.



All the installation, maintenance and disassembly operations must be carried out with the electricity supply disconnected.



The installation of the burner must be carried out by qualified personnel, as indicated in this manual and in compliance with the standards and regulations of the laws in force.

5.2 Handling

The packaging of the burner includes a wooden platform, so it is possible to move the burner (still packaged) with a transpallet truck or fork lift truck.



The handling operations for the burner can be highly dangerous if not carried out with the greatest attention: keep any unauthorised people at a distance; check the integrity and suitability of the available means of handling. Check also that the area in which you are working is empty and that there is an adequate escape area (i.e. a free, safe area to which you can quickly move if the burner should fall). When handling, keep the load at not more than 20-25 cm from the ground.



After positioning the burner near the installation point, correctly dispose of all residual packaging, separating the various types of material. Before proceeding with the installation operations, carefully clean all around the area where the burner will be installed.

5.3 Preliminary checks

Checking the consignment



After removing all the packaging, check the integrity of the contents. In the event of doubt, do not use the burner; contact the supplier.



The packaging elements (wooden cage or cardboard box, nails, clips, plastic bags, etc.) must not be abandoned as they are potential sources of danger and pollution; they should be collected and disposed of in the appropriate places.

RBL	A		B	C
D	E		F	
GAS KAASU <input checked="" type="checkbox"/>	G		H	
GAZ AERIO	G		H	
I				
HEZELRUEL	L			
RIELLO SpA I-37045 Legnago (VR)			CE 0085	

D9243

Fig. 7

Checking the characteristics of the burner

- Check the identification label of the burner, showing:
- the model (A)(Fig. 7) and type of burner (B);
 - the year of manufacture, in cryptographic form (C);
 - the serial number (D);
 - the data for electrical supply and the protection level (E);
 - the electrical input power (F);
 - the types of gas used and the relative supply pressures (G);
 - the data of the burner's minimum and maximum output possibilities (H) (see Firing rates)
- Warning.** The output of the burner must be within the boiler's firing rate;
- the category of the device/countries of destination (I).
 - gas oil (L) max. viscosity.



A burner label that has been tampered with, removed or is missing, along with anything else that prevents the definite identification of the burner makes any installation or maintenance work difficult.

5.4 Installer/Service notes for the use of Gas oil with Bio blends up to 10%

- During the burner installation, check that the gasoil and bio fuel blends are in accordance with Riello specifications (please refer to the chapters "Technical Data" and "Guidance for the use of bio fuel blends up to 10%" within the burner technical manual).
- If a Bio blend is in use the installer must seek information from the end user that their fuel supplier can evidence that the blends of fuel conform to the relevant standards.
- Check that the materials used in the construction of the oil tank and ancillary equipment are suitable for bio fuels, If not these must be upgraded or replaced with Bio compatible parts.
- Particular attention should be given to the oil storage tank and supply to the burner. Riello recommends that existing oil storage tanks are cleaned, inspected and any traces of water are removed BEFORE bio fuel is introduced (Contact the tank manufacturer or oil supplier for further advice). If these recommendations are not respected this will increase the risk of contamination and possible equipment failure.
- In line oil filters should be replaced making sure that they are Bio compatible. Riello recommends a good quality bio compatible oil filter at the tank and a secondary 100 micron filter are used to protect the burner pump and nozzle from contamination.
- The burner hydraulic components and flexible oil lines must be suitable for bio fuel use (check with Riello if in doubt). Riello have carefully chosen the specification of the bio compatible components including the flexible oil lines to protect the pump, safety valve and nozzle. The Riello warranty is dependent upon the use of Riello genuine components including the oil lines, being used. The burner must be commissioned and combustion parameters set to appliance manufacturer's recommendations.
- Regularly check visually for any signs of oil leakage from seals, gaskets and hoses.
- It is strongly recommended that with Bio fuel use, oil filters are inspected and replaced every 4 months. More regularly where contamination is experienced.
- During extended periods of non operation and/or where burners are using oil as a standby fuel, it is strongly recommended that the burner is put into operation for shorts periods at least every three months.

5.5 Operating position

The burner is designed to work only in the positions **1, 2, 3** and **4**. Installation **1** is preferable, as it is the only one that allows performing maintenance operations as described in this manual. Installations **2, 3** and **4** permit operation but make maintenance and inspection of the combustion head difficult, page 32.



Any other position could compromise the correct working of the appliance. Installation **5** is prohibited for safety reasons.

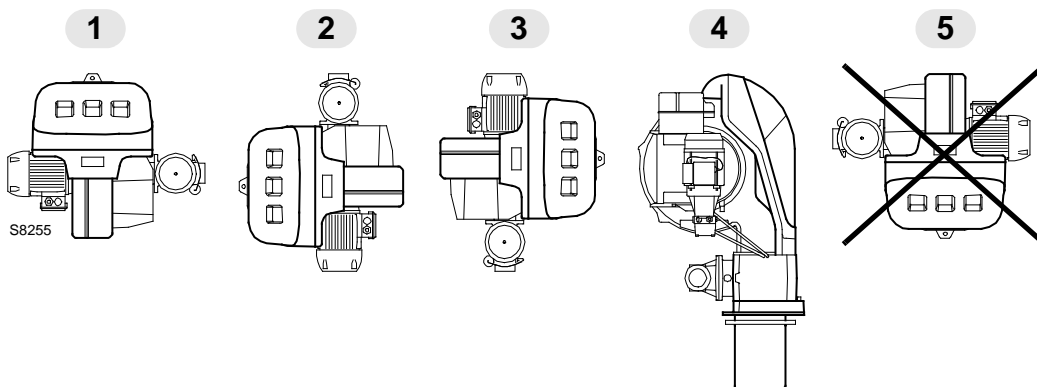


Fig. 8

5.6 Boiler plate

Drill the combustion chamber locking plate as shown in Fig. 9. The position of the threaded holes can be marked using the thermal screen supplied with the burner.

mm	A	B	C
RLS 160/M MX	230	325 - 368	M 16

Tab. D

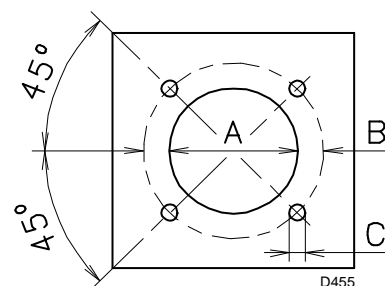


Fig. 9

5.7 Blast tube length

The length of the blast tube must be selected according to the indications provided by the manufacturer of the boiler, and in any case it must be greater than the thickness of the boiler door complete with its fettling.

The range of lengths available, L (mm), is as follows:

Blast tube 12)(Fig. 10)	Short	Long
RLS 160/M MX	373	503

For boilers with front flue passes 15)(Fig. 10) or flame inversion chambers, protective fettling in refractory material 13) must be inserted between the boiler fettling 14) and the blast tube 12).

This protective fettling must not compromise the extraction of the blast tube.

For boilers having a water-cooled front the refractory fettling 13)-14)(Fig. 10) is not required unless it is expressly requested by the boiler manufacturer.

5.8 Securing the burner to the boiler

Detach the combustion head from the burner:

- disconnect the oil pipes by unscrewing the two connectors 6)(Fig. 10).
- Disengage the articulated coupling 7) from the graduated sector 8).
- Loosen the 4 screws 3) and remove the cover 1)
- Remove the screws 2) from the slide bars 5)
- Remove the two screws 4) and pull the burner back on slide bars 5) by about 100 mm.
- Disconnect the electrode wires and then pull the burner completely off the slide bars.

- Secure the sleeve with flange 11) to the boiler plate, interposing the thermal insulating screen 9) supplied with the burner.
- Use the 4 screws, also supplied with the unit, after first protecting the thread with an anti-locking product.



The seal between burner and boiler must be air-tight.

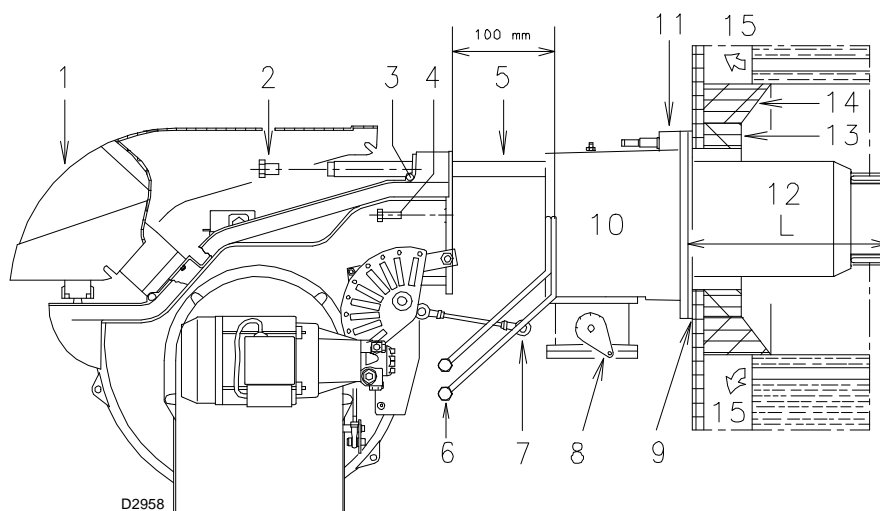


Fig. 10

5.8.1 Combustion head calibration

At this point check whether the maximum delivery of the burner is contained in area A or in area B of the firing rate. See page 11.

If it is in area B then no operation is required.

If, on the other hand, it is in area A:

- remove screw 1)(Fig. 11) and extract the internal part 2);
- remove the 5 circular sectors 3) by unscrewing the relevant screws.

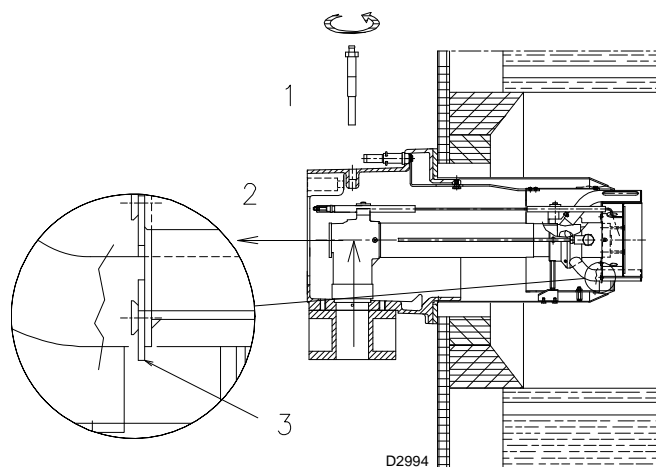


Fig. 11

5.9 Nozzle installation

The burner complies with the emission requirements of the EN 267 standard.

In order to guarantee that emissions do not vary, recommended and/or alternative nozzles specified by Riello in the Instruction and warning booklet should be used.



It is advisable to replace nozzles every year during regular maintenance operations.



The use of nozzles other than those specified by Riello S.p.A. and inadequate regular maintenance may result into emission limits non-conforming to the values set forth by the regulations in force, and in extremely serious cases, into potential hazards to people and objects.

The manufacturing company shall not be liable for any such damage arising from nonobservance of the requirements contained in this manual.

5.9.1 Choice of nozzles for 1st and 2nd stage

Both nozzles must be chosen from among those listed in Tab. E. The first nozzle determines the delivery of the burner in the 1st stage.

The second nozzle works together with the 1st nozzle to determine the delivery of the burner in the 2nd stage.

The deliveries of the 1st and 2nd stages must be contained within the value range indicated on page 9.



Use nozzles with a 60° spray angle at the recommended pressure of 12 bar.

GPH	kg/h			kW 12 bar
	10 bar	12 bar	14 bar	
10.0	38.4	42.4	46.1	502.9
10.5	40.4	44.6	48.4	529.0
11.0	42.3	46.7	50.7	553.9
12.0	46.1	50.9	55.3	603.7
12.3	47.3	52.2	56.7	619.1
13.0	50.0	55.1	59.9	653.5
13.8	53.1	58.5	63.3	693.8
14.0	53.8	59.4	64.5	704.5
15.0	57.7	63.6	69.2	754.3
15.3	58.8	64.9	70.5	769.7
16.0	61.5	67.9	73.8	805.3
17.0	65.4	72.1	78.4	855.1
17.5	67.3	74.2	80.7	880.0
18.0	69.2	76.4	83.0	906.1
19.0	73.0	80.6	87.6	956.0
19.5	75.0	82.7	89.9	980.9
20.0	76.9	84.8	92.2	1005.8
21.5	82.7	91.2	99.1	1081.7
22.0	84.6	93.3	101.4	1106.6
22.5	86.5	95.5	103.7	1132.6
23.0	88.4	97.6	106.0	1157.5
23.5	90.4	99.7	108.3	1182.4
24.0	92.2	101.8	110.6	1207.3
24.5	94.2	104.0	112.9	1233.5
25.0	96.1	106.0	115.3	1257.2
25.5	98.0	108.2	117.6	1283.2
26.0	99.9	110.3	119.9	1308.2
26.5	101.9	112.4	122.2	1333.1
27.0	103.8	114.5	124.5	1358.0
27.5	105.7	116.7	126.8	1384.1
28.0	107.6	118.8	129.1	1409.0

Tab. E

As a rule the two nozzles have equal deliveries but the 1st stage nozzle may have a delivery less than 50% of the total delivery when a reduction of the counter-pressure peak is desired at the moment of starting (the burner allows good combustion rates also with a 40 - 100 % ratio between the 1st and 2nd stage).

Example:

boiler output = 1630 kW - efficiency 90 %
 Output required by the burner = 1630 : 0.9 = 1812 kW;
 1812 : 2 = 906 kW per nozzle;
 therefore, two equal, 60°, 12 bar nozzles are required:
 1° = 18 GPH - 2° = 18 GPH,
 or the following two different nozzles:
 1° = 16 GPH - 2° = 20 GPH.

5.9.2 Nozzle assembly

- Remove screw 1)(Fig. 11) and extract the internal part 2).
- Fit two nozzles with the box spanner (16 mm) 1)(Fig. 12), after having removed the plastic plugs 2).
- Fitting the spanner through the central hole in the flame stability disk or loosen screws 1)(Fig. 13).
- Remove disk 2)(Fig. 13) and replace the nozzles using the wrench 3).



Do not use any sealing products such as gaskets, sealing compound, or tape. Be careful to avoid damaging the nozzle sealing seat. The nozzles must be screwed into place tightly but not to the maximum torque value provided by the wrench.

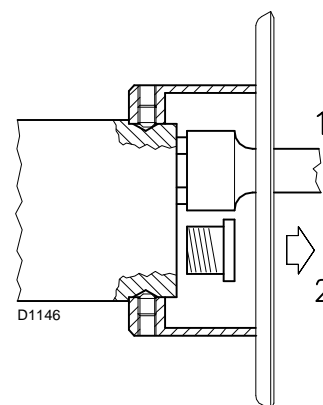


Fig. 12

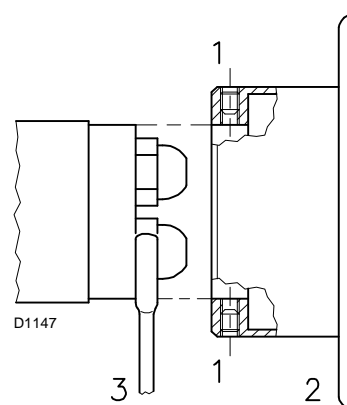


Fig. 13

The nozzle for the 1st stage of operation is the one lying beneath the firing electrodes (Fig. 14).



Make sure that the electrodes are positioned as shown in Fig. 14.

- Refit the burner to the slide bars 3)(Fig. 15) at approximately 100 mm from the sleeve 4) - burner positioned as shown in Fig. 10 at page 16;
- insert the ignition electrode cables and then slide the burner up to the sleeve so that it is positioned as shown in Fig. 15.
- Refit screws 2)(Fig. 15) on slide bars 3).
- Secure the burner to the sleeve by tightening screws 1).
- Connect the oil pipes again by screwing on the two connectors 6)(Fig. 10 at page 16).
- Reconnect the articulation 7) to the graduated sector 8).



When fitting the burner on the two slide bars, it is advisable to gently draw out the high tension cables until they are slightly stretched.

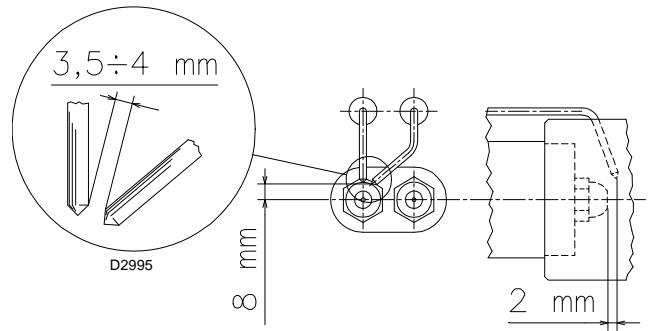


Fig. 14

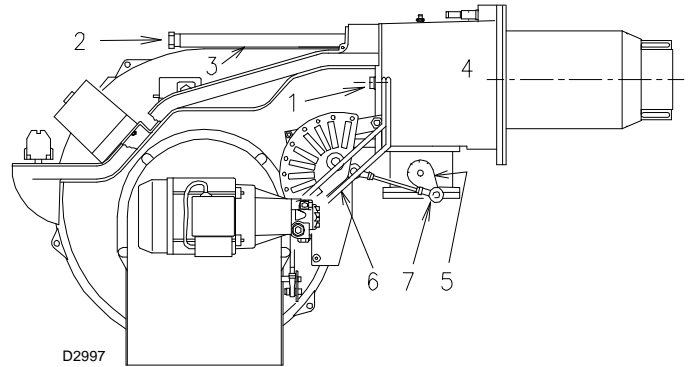


Fig. 15

5.10 Servomotor

The servomotor (Fig. 16) provides simultaneous adjustment of the air gate valve, by means of the variable profile cam, and the gas butterfly valve. The servomotor rotates through 130 degrees in 33 seconds.

Do not alter the factory setting for the 5 cams; simply check that they are set as indicated below:

- Cam I: 130°**
Limits rotation toward maximum position.
When the burner is at max output the gas butterfly valve must be fully open: 90°.
- Cam II: 0°**
Limits rotation toward the minimum position.
When the burner is shut down the air gate valve and the gas butterfly valve must be closed: 0°.
- Cam III: 30° (gas)**
Adjusts the ignition position and the MIN output.
- Cam IV: 30° (gas oil)**
Adjusts the ignition position and the 1st stage output.
- Cam V: 90°**
Determines when the 2nd stage diesel oil valve opens.

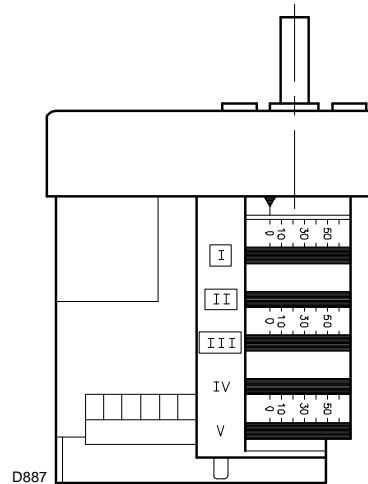


Fig. 16

5.11 Gas oil supply



Where gas oil containing bio diesel is in use, it is recommended to avoid over oxygenation of the blended fuels.

Where at all possible avoid the use of two pipe systems where the circulated fuel is returned to the tank.

If this cannot be avoided make sure that the return pipe is normally below the surface of the fuel level within the storage tank.



In case of use with gas oil containing up to 10% Bio blend, it will be essential to use flexible oil lines suitable for bio fuel use.

Please contact Riello for further information.



It is strongly recommended a periodic check of the pump pressure operation (annually or better every six months, if the burner operation is continuous).



You are advised to use additional filters on the fuel supply line.

Riello recommends a good quality fuel filter at the tank (Fig. 17 - Fig. 18) and a secondary filter (100 μ for gas oil and 15 μ for kerosene) are used to protect the burner pump and nozzle from contamination.

In case of Biodiesel use, pay attention to install Biocompatible filters.

5.11.1 Double-pipe circuit

The burner is equipped with a self-priming pump which is capable of feeding itself within the limits listed in the Tab. F.

The tank higher than the burner A (Fig. 17)

The distance "P" must not exceed 10 meters in order to avoid subjecting the pump's seal to excessive strain; the distance "V" must not exceed 4 meters in order to permit pump self-priming even when the tank is almost completely empty.

The tank lower than the burner B (Fig. 17)

Pump depression values higher than 0.45 bar (35 cm Hg) must not be exceeded because at higher levels gas is released from the fuel, the pump starts making noise and its working life-span decreases.

It is good practice to ensure that the return and suction lines enter the burner from the same height; in this way it will be more improbable that the suction line fails to prime or stops priming.

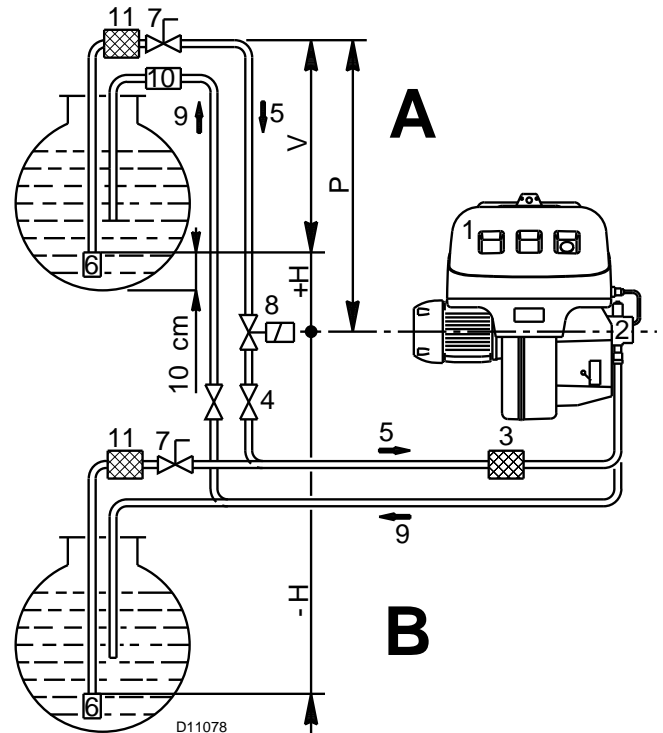


Fig. 17

Key (Fig. 17)

- H Pump/Foot valve height difference
- L Piping length
- ∅ Inside pipe diameter
- 1 Burner
- 2 Pump
- 3 Filter
- 4 Manual on/off valve
- 5 Suction line
- 6 Foot valve
- 7 Rapid closing manual valve remote controlled (only Italy)
- 8 On/off solenoid valve (only Italy)
- 9 Return line
- 10 Check valve (only Italy)
- 11 Tank filter

+/- H (meters)	L (meters)		
	∅ 12 mm	∅ 14 mm	∅ 16 mm
+ 4	71	138	150
+ 3	62	122	150
+ 2	53	106	150
+ 1	44	90	150
+ 0.5	40	82	150
0	36	74	137
- 0.5	32	66	123
- 1	28	58	109
- 2	19	42	81
- 3	10	26	53
- 4	-	10	25

Tab. F

5.11.2 Single-pipe circuit

In order to obtain single-pipe working it is necessary to unscrew the return hose, remove the by-pass screw 6)(Fig. 19) and then screw the plug 7)(Fig. 19).

The distance "P" must not exceed 10 meters in order to avoid subjecting the pump's seal to excessive strain; the distance "V" must not exceed 4 meters.

For the priming pump loosen the screw 3)(Fig. 21) in order to bleed off the air contained in the suction line and wait until the fuel flows out.

Key (Fig. 18)

- H Pump/Foot valve height difference
- L Piping length
- ∅ Inside pipe diameter
- 1 Burner
- 2 Pump
- 3 Filter
- 4 Manual on/off valve
- 5 Suction line
- 6 Foot valve
- 7 Rapid closing manual valve remote controlled (only Italy)
- 8 On/off solenoid valve (only Italy)
- 11 Tank filter

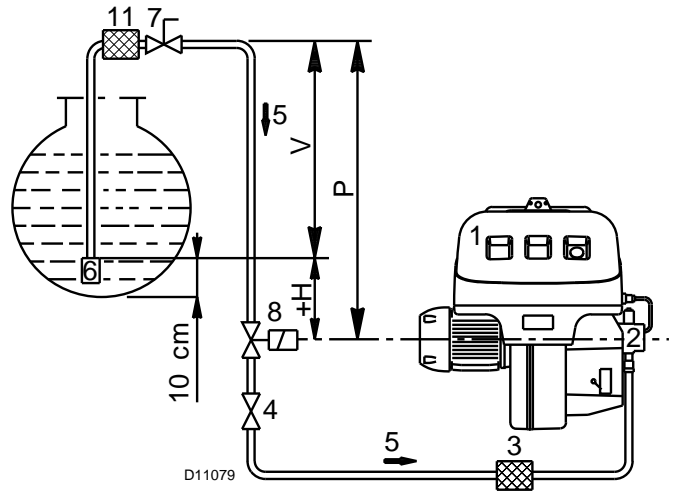


Fig. 18

+/- H (meters)	L (meters)		
	∅ 12 mm	∅ 14 mm	∅ 16 mm
+ 4	71	138	150
+ 3	62	122	150
+ 2	53	106	150
+ 1	44	90	150
+ 0.5	40	82	150

Tab. G

5.12 Hydraulic system layout

Key (Fig. 19)

- 1 Pump suction
- 2 Filter
- 3 Pump
- 4 Pressure governor
- 5 Return pipe
- 6 By-pass screw
- 7 Pump return
- 8 Safety solenoid
- 9 1st stage valve
- 10 2nd stage valve
- 11 Filter
- M Pressure gauge
- V Vacuumeter

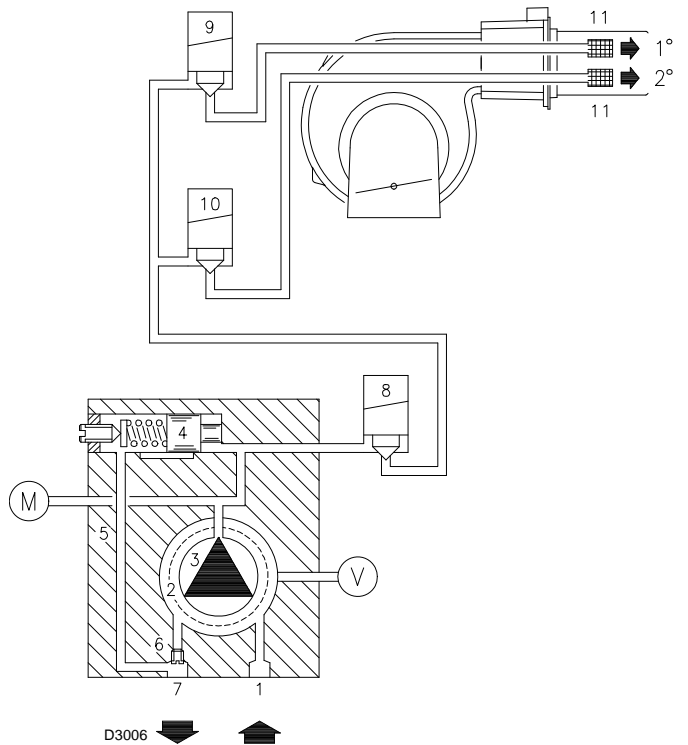


Fig. 19

5.13 Hydraulic connections

The pumps are equipped with a by-pass that connects return line and suction line. The pumps are installed on the burner with the by-pass closed by screw 6)(Fig. 19).

It is therefore necessary to connect both hoses to the pump.

- The pump will break immediately if it is run with the return line closed and the by-pass screw inserted.
- Remove the plugs from the suction and return connections of the pump.
- Insert the hose connections with the supplied seals into the connections and screw them down.
- Take care that the hoses are not stretched or twisted during installation.
- Install the hoses where they cannot be stepped on or come into contact with hot surfaces of the boiler and where they do

not hamper the opening of the burner.

- Now connect the other end of the hoses to the suction and return lines by using the supplied nipples.

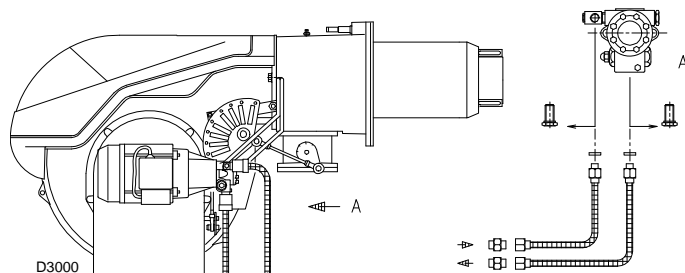


Fig. 20

5.14 Pump



In case of use with gas oil containing up to 10% Bio blend, it will be essential to use flexible oil lines suitable for bio fuel use. Please contact Riello for further information.

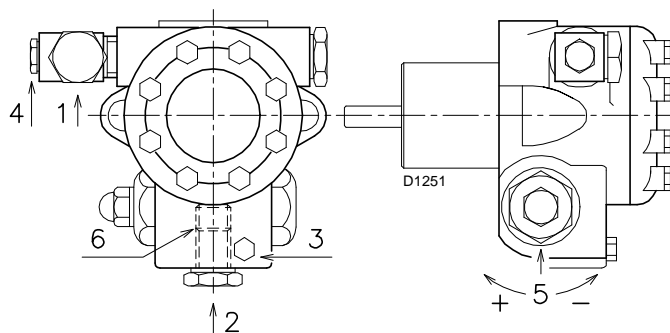


Fig. 21

- | | | |
|---|---------------------------|--------|
| 1 | Suction | G 1/2" |
| 2 | Return | G 1/2" |
| 3 | Pressure gauge attachment | G 1/8" |
| 4 | Vacuum meter attachment | G 1/8" |
| 5 | Pressure governor | |
| 6 | By-pass screw | |

5.14.1 Technical data

Suntec E7CC

Min. delivery rate at 12 bar pressure	kg/h	230
Delivery pressure range	bar	10 - 21
Max. suction depression	bar	0.45
Viscosity range	mm ² /s (cSt)	2.8 - 200
Max. gas oil temperature	°C	90
Max. suction and return pressure	bar	1.5
Pressure calibration in the factory	bar	12
Filter mesh width	mm	0.17

Tab. H

5.14.2 Pump priming



Before starting the burner, make sure that the tank return line is not clogged.

Obstructions in the line could cause the sealing organ located on the pump shaft to break. (The pump leaves the factory with the by-pass closed).

- Also check to make sure that the valves located on the suction line are open and that there is sufficient fuel in the tank.
- For self-priming to take place, one of the screws 3)(Fig. 21) of the pump, must be loosened in order to bleed off the air contained in the suction line.
- Start the burner by closing the control devices, with switch 1)(Fig. 22) in the "MAN" position and with switch 6)(Fig. 6 at page 13) in the "OIL" position.
- The pump can be considered to be primed when the gas oil starts coming out of the screw 3)(Fig. 21). Stop the burner: switch 1)(Fig. 22) set to "OFF" and tighten the screw 3).

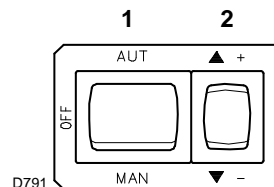


Fig. 22

The time required for this operation depends upon the diameter and length of the suction tubing.

If the pump fails to prime at the first starting of the burner and the burner locks out, wait approx. 15 seconds, reset the burner, and then repeat the starting operation as often as required.

After 5 or 6 starting operations allow 2 or 3 minutes for the transformer to cool.

Do not illuminate the UV cell or the burner will lock out; the burner should lock out anyway about 10 seconds after it starts.



The a.m. operation is possible because the pump is already full of fuel when it leaves the factory.

If the pump has been drained, fill it with fuel through the opening on the vacuum meter prior to starting; otherwise, the pump will seize.

Whenever the length of the suction piping exceeds 20-30 meters, the supply line must be filled using a separate pump

5.15 Gas supply

5.15.1 Gas line

The gas train must be connected to the gas attachment 1)(Fig. 23), using flange 2), gasket 3) and screws 4) supplied with the burner.

The gas train can enter the burner from the right or left side, depending on which is the most convenient.

Gas solenoids 8)-9)(Fig. 24) must be as close as possible to the burner to ensure gas reaches the combustion head within the safety time range of 3 s.

Make sure that the pressure governor calibration range (colour of the spring) comprises the pressure required by the burner.

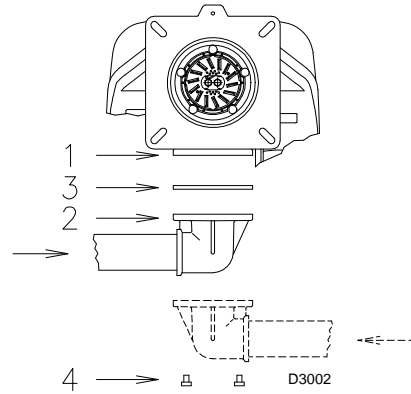


Fig. 23

GAS TRAIN COMPONENTS

Code	5	6	7 - 8
3970146 3970160	GF 520/1	FRS 520	DMV-DLE 520/11
3970181 3970182	Multiblock MB DLE 420		
3970147 3970161	GF 40065/3	FRS 5065	DMV-DLE 5065/11
3970148 3970162	GF 40080/3	FRS 5080	DMV-DLE 5080/11
3970149 3970163	GF40100/3	FRS 5100	DMV-DLE 5100/11

Tab. I

5.15.2 Gas train

It is type-approved according to EN 676 Standards and is supplied separately from the burner with the code indicated in Tab. J.

NOTE

See the accompanying instructions for the adjustment of the gas train.

Gas train - L (Fig. 24)			13	14
Ø	C.T.	Code	Code	Code
2"	-	3970146	3010123	-
2"	◆	3970160	-	-
2"	-	3970181	3010123	-
2"	◆	3970182	-	-
DN 65	-	3970147	3010123	3000825
DN 65	◆	3970161	-	3000825
DN 80	-	3970148	3010123	3000826
DN 80	◆	3970162	-	3000826

Tab. J

Key Tab. J

- C.T. Gas valves 8) - 9) leak detection control devices:
- Gas train without gas valve leak detection control device; device that can be ordered separately and assembled subsequently (see Column 13).
 - ◆ Gas train with assembled VPS valve leak detection control device.
- 13 VPS valve leak detection control device. Supplied separately from gas train on request.
- 14 Gas train/burner adaptor. Supplied separately from gas train on request.

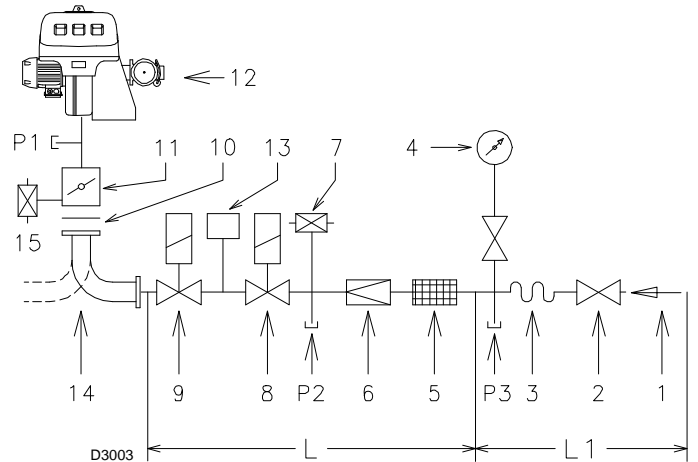


Fig. 24

Key Fig. 24

- 1 Gas input pipe
- 2 Manual valve
- 3 Vibration damping joint
- 4 Pressure gauge with pushbutton cock
- 5 Filter
- 6 Pressure governor (vertical)
- 7 Minimum gas pressure switch
- 8 Safety solenoid VS (vertical)
- 9 Adjustment solenoid VR (vertical)
- Two adjustments:
 - ignition delivery (rapid opening)
 - maximum delivery (slow opening)
- 10 Standard issue burner gasket
- 11 Gas adjustment butterfly valve
- 12 Burner
- 13 Gas valve 8)-9) leak detection control device. In accordance with EN 676 Standards, gas valve leak detection control devices are compulsory for burners with maximum outputs of more than 1200 kW.
- 14 Gas train/burner adaptor
- 15 Maximum gas pressure switch
- P1 Pressure at combustion head
- P2 Pressure down-line from the pressure governor
- P3 Pressure up-line from the filter
- L Gas train supplied separately with the code indicated in Tab. J
- L1 The responsibility of the installer

5.16 Gas pressure

The Tab. K shows minimum pressure losses along the gas supply line depending on the maximum burner output operation.

kW	1 Δp (mbar)	2 Δp (mbar)	3 Δp (mbar)				
			3970146 3970160	3970181 3970182	3970147 3970161	3970148 3970162	3970149 3970163
930	4.3	0.9	17.0	15.0	6.3	-	-
1000	5.1	1.0	19.5	17.0	7.4	-	-
1100	6.2	1.3	22.5	20.0	8.5	4.5	-
1200	7.4	1.6	27.0	23.5	10.0	5.4	-
1300	8.6	1.9	32.0	27.5	12.0	6.0	-
1400	10.0	2.2	35.0	29.0	15.0	7.0	-
1500	11.5	2.6	40.0	32.0	16.0	8.0	-
1600	13.1	2.9	45.0	35.0	17.0	9.0	4.5
1700	14.7	3.3	52.0	38.5	19.0	10.0	4.7
1860	17.7	3.8	62.0	45.0	23.0	12.0	5.5

Tab. K

Column 1 (Tab. K)

Pressure loss at combustion head.

Gas pressure measured at test point 1)(Fig. 25), with:

- combustion chamber at 0 mbar
- combustion head adjusted as indicated in diagram (Fig. 29 at page 26).

Column 2 (Tab. K)

Pressure loss at gas butterfly valve 2)(Fig. 25) with maximum opening: 90°.

Column 3 (Tab. K)

Pressure loss of gas train 3)(Fig. 25) with gas G20 includes:

- adjustment valve VR
- safety valve VS (both fully open)
- pressure governor R
- filter F (see components in Tab. I at page 22)

The values shown in the Tab. K refer to:
natural gas G 20 PCI 10 kWh/Nm³ (8.6 Mcal/Nm³)

With:
natural gas G 25 PCI 8.6 kWh/Nm³ (7.4 Mcal/Nm³) multiply tabulated values:

- column 1: by 1.3;
- column 2-3: by 1.49

Calculate the approximate maximum output of the burner thus:

- subtract the combustion chamber pressure from the gas pressure measured at test point 1)(Fig. 25).
- Find the nearest pressure value to your result in column 1 of the Tab. K.
- Read off the corresponding output on the left.

Example

- Maximum output operation
- Natural gas G20 PCI 10 kWh/Nm³
- Gas pressure at test point 1)(Fig. 25) = 16 mbar
- Pressure in combustion chamber = 3 mbar
- 16 - 3 = 13 mbar

A maximum output of 1600 kW shown in Tab. K corresponds to 13 mbar pressure, column 1, gas G20.

This value serves as a rough guide, the effective delivery must be measured at the gas meter.

To calculate the required gas pressure at test point 1)(Fig. 25), set the maximum output required from the burner operation:

- find the nearest output value in the Tab. K.
- Read off the pressure at test point 1)(Fig. 25) on the right in column 1.
- Add this value to the estimated pressure in the combustion chamber.

Example

- Required burner maximum output operation: 1600 kW
- Natural gas G20 PCI 10 kWh/Nm³
- Gas pressure at burner output of 1600 kW, column 1 = 13 mbar
- Pressure in combustion chamber = 3 mbar
- 13 + 3 = 16 mbar

pressure required at test point 1)(Fig. 25).

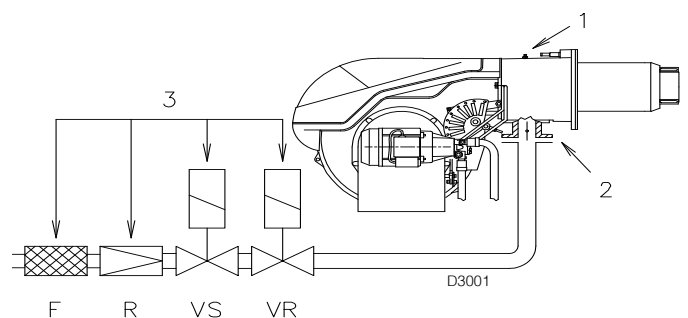


Fig. 25

6 Electrical system**6.1 Notes on safety for the electrical wiring**

- The electrical wiring must be carried out with the electrical supply disconnected.
- Electrical wiring must be carried out by qualified personnel and in compliance with the regulations currently in force in the country of destination. Refer to the wiring diagrams.
- The manufacturer declines all responsibility for modifications or connections different from those shown in the wiring diagrams.
- Do not invert the neutral with the phase in the electrical supply line. Any inversion would cause a lockout due to firing failure.
- Check that the electrical supply of the burner corresponds to that shown on the identification label and in this manual.
- The burners have been set for intermittent operation. This means they should compulsorily be stopped at least once every 24 hours to enable the control box to perform checks of its own start-up efficiency. Normally the boiler's thermostat/pressure switch ensures the stopping of the burner.
If this is not the case, it is necessary to apply in series with IN a timer switch that turns off the burner at least once every twenty-four hours. Refer to the wiring diagrams.
- The electrical safety of the device is obtained only when it is correctly connected to an efficient earthing system, made according to current standards. It is necessary to check this fundamental safety requirement. In the event of doubt, have the electrical system checked by qualified personnel.
- The electrical system must be suitable for the maximum input power of the device, as indicated on the label and in the manual, checking in particular that the section of the cables is suitable for the input power of the device.
- For the main power supply of the device from the electricity mains:
 - do not use adapters, multiple sockets or extensions;
 - use an omnipolar switch, as indicated by the current safety standards.
- Do not touch the device with wet or damp body parts and/or in bare feet.
- Do not pull the electric cables.

Before carrying out any maintenance, cleaning or checking operations:



disconnect the electrical supply from the burner by means of the main system switch;



isolate the fuel supply.

If the cover is still present, remove it and proceed with the electrical wiring according to the wiring diagrams.

6.2 Electrical connections



Electrical wiring must be made in accordance with the regulations currently in force in the country of destination and by qualified personnel.
 Riello S.p.A. declines all liability for modifications or connections other than those shown on these diagrams.

Use flexible cables according to EN 60 335-1. Regulations:

- if in PVC sheath, use at least H05 VV-F;
- if in rubber sheath, use at least H05 RR-F.

All the wires to connect to the burner terminal strip 8)(Fig. 26) must enter through the supplied fairleads.

The fairleads and hole press-outs can be used in various ways; the following lists show one possible solution:

- 1 Pg 13.5 Three-phase power supply
- 2 M20 7 pole socket input
- 3 M20 4 pole socket input
- 4 M20 6 pole socket input
- 5 Optional holes
- 6 Open the hole, if necessary add a cable gland
- 7 6 pole socket for gas valves, gas pressure switch or device for VPS control
- 8 Terminal strip
- 9 4 pole socket for TR thermostat/pressure switch
- 10 7 pole socket single-phase power supply for TR thermostat/pressure switch

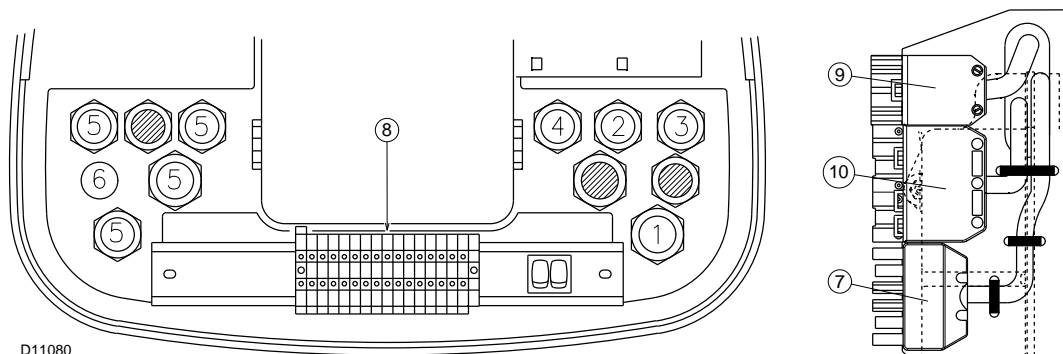


Fig. 26

6.3 Current to the UV photocell

Min value for a good work: 70 μ A.

If the value is lower, it can depend on:

- exhausted photocell;
- low current (lower than 187 V);
- bad regulation of the burner.

In order to measure the current, use a microammeter of 100 μ A c.c., connected to the photocell, as in the scheme, with a capacitor of 100 μ F - 1V c.c. at the same level of the instrument. See Fig. 27.

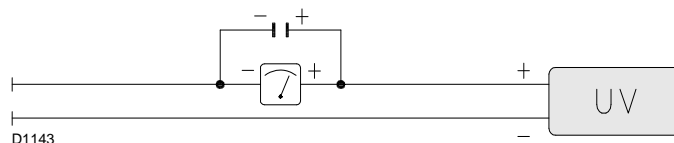


Fig. 27

7 Start-up, calibration and operation of the burner

7.1 Notes on safety for the first start-up



The first start-up of the burner must be carried out by qualified personnel, as indicated in this manual and in compliance with the standards and regulations of the laws in force.



Check the correct working of the adjustment, command and safety devices.

7.2 Adjustment before first firing (gas oil operation)

7.2.1 Combustion head setting

The setting of the combustion head depends exclusively on the maximum burner output.

Turn screw 5)(Fig. 28) until the notch shown in diagram (Fig. 29) is level with the front surface of flange 6)(Fig. 28).



In order to facilitate adjustment, loosen screw 1)(Fig. 11 at page 16), adjust and then tighten.

Example:

maximum burner output = 1300 kW.

If diagram (Fig. 29) is consulted it is clear that for this delivery, the combustion head must be adjusted using notch 7, as shown in Fig. 28.

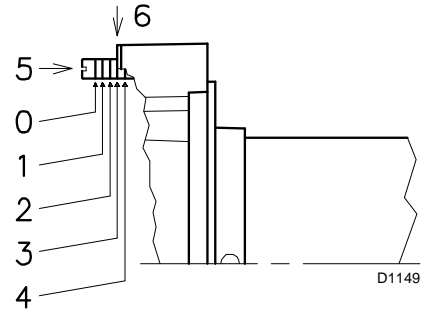


Fig. 28

7.2.2 Pump adjustment

No settings are required for the pump, which is set to 12 bar by the manufacturer.

This pressure must be checked and adjusted (if required) after the burner has been ignited.

The only operation required in this phase is the application of a pressure gauge on the appropriate pump attachment.

7.2.3 Fan gate adjustment

The first time the burner is fired leave the factory setting unchanged for both 1st stage and 2nd stage operation.

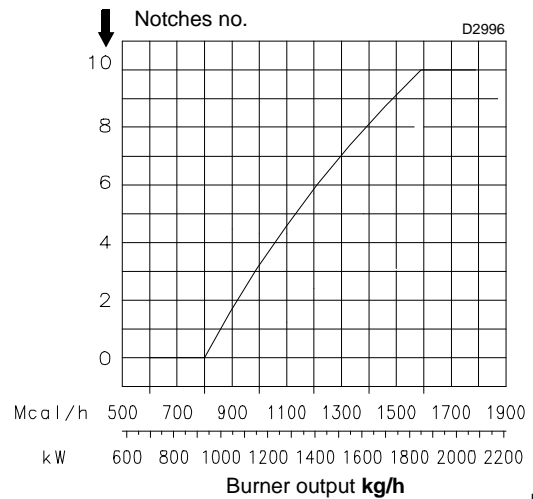


Fig. 29

7.3 Burner calibration (gas oil operation)



It is advisable to first set the burner for operating on oil and then for gas.

Execute the fuel exchange when the burner is off.

7.3.1 Firing

Set switch 1)(Fig. 30) to "MAN".

During the first firing, during the passage from the 1st to the 2nd stage, there is a momentary lowering of the fuel pressure caused by the filling of the 2nd stage nozzle tubing.

This lowering of the fuel pressure can cause the burner to lock-out and can sometimes give rise to pulsations.

Once the following adjustments have been made, the firing of the burner must generate a noise similar to the noise generated during operation.

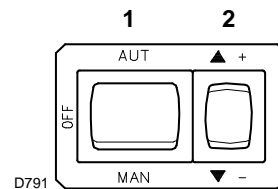


Fig. 30

7.3.2 Operation

The optimum calibration of the burner requires an analysis of the flue gases at the boiler outlet and interventions on the following points.

1st and 2nd stage nozzles

See the information listed on page 17.

Combustion head

The adjustment of the combustion head already carried out (page 26) need not be altered unless the 2nd stage delivery of the burner is changed.

Pump pressure

12 bar: this is the pressure calibrated in the factory which is usually sufficient for most purposes.
Sometimes, this pressure must be adjusted to:

- 10 bar: in order to reduce fuel delivery.
This adjustment is possible only if the surrounding temperature remains above 0°C.
- 14 bar: in order to increase fuel delivery or to ensure firings even at temperatures of less than 0°C. In order to adjust pump pressure, use the screw 5)(Fig. 21 at page 21).

1st and 2nd stage fan air gate valve

See adjustments of "Servomotor" on page 18.

7.4 Adjustment before first firing (gas operation)

Adjustment of the combustion head has been illustrated on page 26.

In addition, the following adjustments must also be made:

- open manual valves up-line from the gas train.
- Adjust the minimum gas pressure switch to the start of the scale (Fig. 31).
- Adjust the maximum gas pressure switch to the start of the scale (Fig. 32).
- Adjust the air pressure switch to the zero position of the scale (Fig. 33).
- Purge the air from the gas line.
Continue to purge the air (we recommend using a plastic tube routed outside the building) until gas is smelt.
- Fit a U-type manometer (Fig. 34) to the gas pressure test point on the sleeve.
The manometer readings are used to calculate the MAX. burner power using the Tab. K at page 23.
- Connect two lamps or testers to the two gas line solenoid valves VR and VS to check the exact moment at which voltage is supplied.
This operation is unnecessary if each of the two solenoid valves is equipped with a pilot light that signals voltage passing through.

Before starting up the burner it is good practice to adjust the gas train so that ignition takes place in conditions of maximum safety, i.e. with gas delivery at the minimum.

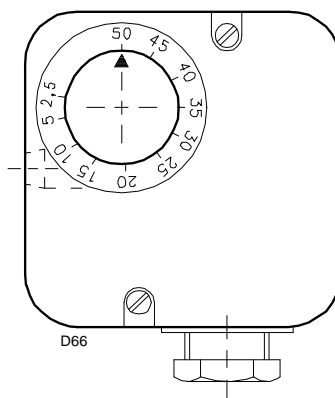


Fig. 32

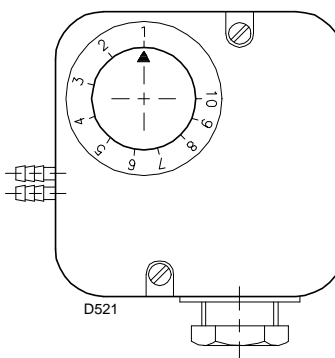


Fig. 33

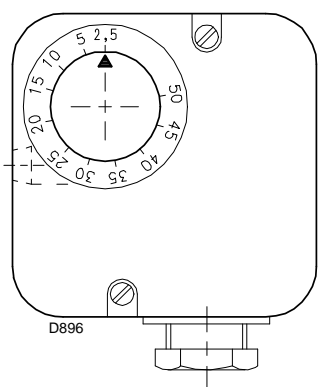


Fig. 31

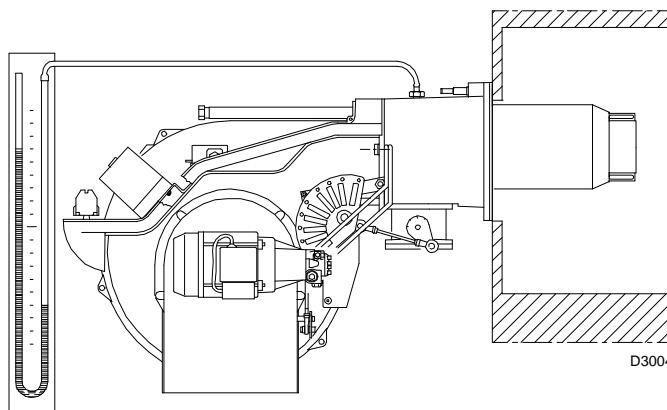


Fig. 34

7.5 Burner starting (gas operation)



It is advisable to first set the burner for operating on oil and then for gas.
Execute the fuel exchange when the burner is off.

If voltage is present, then immediately stop the burner and check electrical connections.

Close the control devices and set switch 1)(Fig. 35) to “MAN”.
As soon as the burner starts check the direction of rotation of the fan blade, looking through the flame inspection window 26)(Fig. 6 at page 13).
Make sure that the lamps or testers connected to the solenoids, or pilot lights on the solenoids themselves, indicate that no voltage is present.

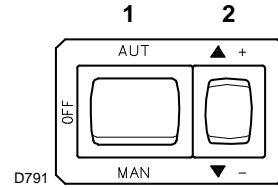


Fig. 35

7.6 Burner firing (gas operation)

Having completed the checks indicated in the previous heading, the burner should fire. If the motor starts but the flame does not appear and the control box goes into lock-out, reset and wait for a new firing attempt.
If firing is still not achieved, it may be that gas is not reaching the combustion head within the safety time period of 3 seconds.
In this case increase gas firing delivery.

The arrival of gas at the sleeve is indicated by the U-type manometer (Fig. 34).
Once the burner has fired, now proceed with global calibration operations.

7.7 Burner calibration (gas operation)

The optimum calibration of the burner requires an analysis of the flue gases at the boiler outlet.
Adjust successively:
– First firing output
– MAX burner output
– MIN burner output
– Intermediate outputs
– Air pressure switch
– Maximum gas pressure switch
– Minimum gas pressure switch

In order to measure the firing output:
➤ extract the UV cell 17)(Fig. 6 at page 13) (the burner will fire and then go into lock-out after the safety time has elapsed).
➤ Perform 10 firings with consecutive lock-outs.
➤ On the meter read the quantity of gas burned. This quantity must be equal to or lower than the quantity given by the formula:

$$\frac{\text{Nm}^3/\text{h (max. burner delivery)}}{360}$$

Example for G 20 (10 kWh/Nm³):
max. operation output: 600 kW corresponding to 60 Nm³/h.
After 10 firings with lock-outs, the delivery read on the meter must be equal to or lower than: 60 : 360 = 0.166 Nm³.

7.7.1 First firing output

According to EN 676 Regulations:

Burners with MAX output up to 120 kW

Firing can be performed at the maximum operation output level.
Example:
– max. operation output : 120 kW
– max. firing output : 120 kW

7.7.2 MAX burner output

Max. output of the burner must be set within the firing rate range shown on page 11.
In the above instructions we left the burner running in MIN. output operation. Now press button 2)(Fig. 35) “increase output” and keep it pressed until the servomotor has opened the air gate valve and the gas butterfly valve.

Burners with MAX output above 120 kW

Firing must be performed at a lower output than the max. operation output. If the firing output does not exceed 120 kW, no calculations are required. If firing output exceeds 120 kW, the regulations prescribe that the value be defined according to the control box safety time “ts”:
– for ts = 2s, firing output must be equal to or lower than 1/2 of max. operation output;
– for ts = 3s, firing output must be equal to or lower than 1/3 of max. operation output.

Gas calibration

Measure the gas delivery at the meter.
A guideline indication can be calculated from the Tab. K at page 23, simply read off the gas pressure on the U-type manometer, see Fig. 34 at page 27, and follow the instructions on page 23.
➤ If delivery needs to be reduced, diminish outlet gas pressure and, if it is already very low, slightly close adjustment valve VR.
➤ If delivery needs to be increased, increase outlet gas pressure.

Example:

MAX operation output of 600 kW.
Firing output must be equal to or lower than:
– 300 kW con ts = 2s
– 200 kW con ts = 3s

Adjusting air delivery

Progressively adjust the end profile of cam 4)(Fig. 36) by turning the screws 7).

- Turn the screws clockwise to increase air delivery.
- Turn the screws counter-clockwise to reduce air delivery.

7.7.3 MIN burner output

Min output must be selected within the firing rate range shown on page 11.

Press button 2)(Fig. 35 at page 28) “output reduction” until the servomotor has closed the air gate valve and the gas butterfly valve to 30° (factory set adjustment).

Adjusting gas delivery

Measure the delivery of gas from the gas meter.

- If this value is to be reduced, decrease the angle of cam III (Fig. 37) slightly by proceeding a little at a time until the angle is changed from 30° to 28° - 26°....
- If it has to be increased press the button “output increase” 2)(Fig. 35 at page 28) (i.e. open the gas butterfly valve by 10-15°), increase the cam III angle (Fig. 37) with small successive movements, i.e. take it from angle 30° to 32° - 34°... Then press the button “output decrease” until the servomotor is taken to the minimum opening position and measure the gas delivery.

Note

The servomotor follows the adjustment of cam III only when the cam angle is reduced.

If it is necessary to increase the cam angle, first increase the servomotor angle with the key “output increase”, then increase the cam III angle, and finally bring the servomotor back to the MIN output position with the key “output decrease”.

- In order to adjust cam III, especially for fine movements, the key 10)(Fig. 37), held by a magnet under the servomotor, can be used.

Adjustment of air delivery

Progressively adjust the starting profile of cam 4)(Fig. 36) by turning the screws 5).

It is preferable not to turn the first screw since this is used to set the air gate valve to its fully-closed position.

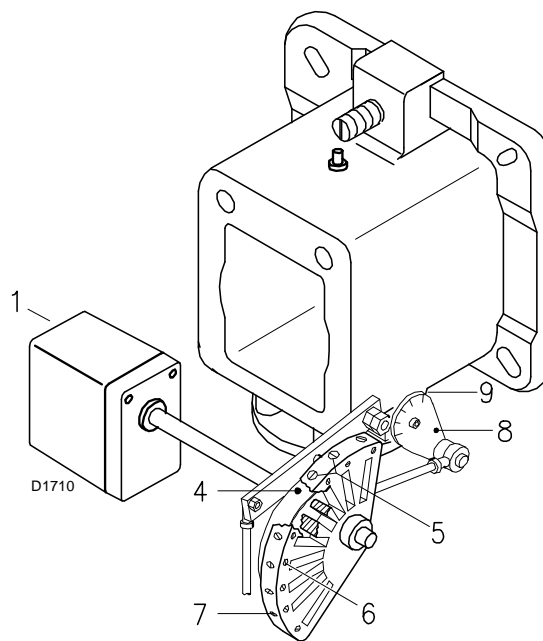


Fig. 36

Key Fig. 36

- 1 Servomotor
- 2 Servomotor 1) - Cam 4): engaged
- 3 Servomotor 1) - Cam 4): disengaged
- 4 Adjustable profile cam
- 5 Cam starting profile adjustment screws
- 6 Adjustment fixing screws
- 7 Cam end profile adjustment screws
- 8 Graduated sector for gas butterfly valve
- 9 Index for graduated sector 8
- 10 Key for cam III adjustment

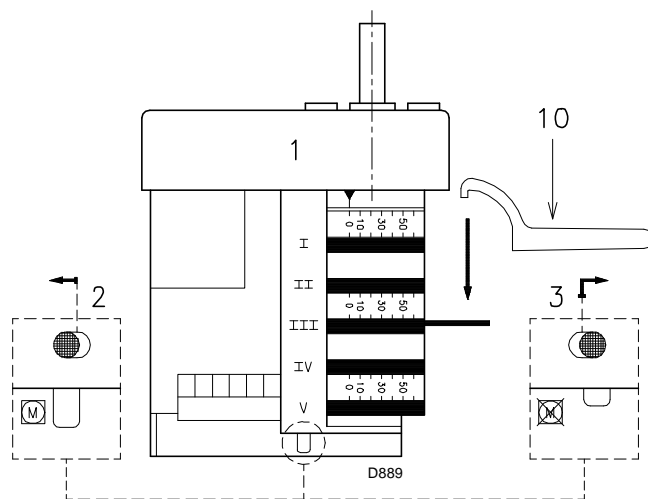


Fig. 37

7.7.4 Intermediate outputs

Adjustment of gas delivery

No adjustment of gas delivery is required

Adjustment of air delivery

Press the key 2)(Fig. 35 at page 28) "output increase" a little so that the servomotor turns by about 15°.

Adjust the screws until optimal combustion is obtained. Proceed in the same way with the other screws.



WARNING

Take care that the cam profile variation is progressive.

- Switch off the burner using switch 1)(Fig. 35 at page 28), at OFF position;
- disengage the cam 4)(Fig. 36) from the servomotor, by pressing the button 3)(Fig. 37);
- moving it to the right, and check more than once that the movement is soft and smooth, and does not grip, by rotating the cam 4) forward and backward by hand.
- Engage the cam 4) to the servomotor again by moving the button 2)(Fig. 37) to the left.
- As far as is possible, try not to move those screws at the ends of the cam that were previously adjusted for the opening of the air gate to MAX and MIN output.
- Finally fix the adjustment by turning the screws 6)(Fig. 36).

N.B.

Once you have finished adjusting outputs MAX - MIN - INTERMEDIATE, check ignition once again: noise emission at this stage must be identical to the following stage of operation.

If you notice any sign of pulsations, reduce the ignition stage delivery.

7.7.5 Air pressure switch

Adjust the air pressure switch after having performed all other burner adjustments with the air pressure switch set to the start of the scale (Fig. 38).

With the burner operating at min. output, increase adjustment pressure by slowly turning the relative knob clockwise until the burner locks out.

Then turn the knob anti-clockwise by about 20% of the set point and repeat burner starting to ensure it is correct.

If the burner locks out again, turn the knob anti-clockwise a little bit more.



WARNING

As a rule, the air pressure switch must prevent the air pressure from lowering below 80% of the adjustment value as well as preventing the CO in the fumes from exceeding 1% (10,000 ppm).

To check this, insert a combustion analyser into the chimney, slowly close the fan suction inlet (for example with cardboard) and check that the burner locks out, before the CO in the fumes exceeds 1%.

The air pressure switch is of the differential type. If a negative pressure in the combustion chamber during pre-purging prevents the air pressure switch from closing, fit a tube between the air pressure switch and the suction inlet of the fan.



WARNING

The use of the air pressure switch with differential operation is allowed only in industrial applications and in places where national rules enable the air pressure switch to control only fan operation.

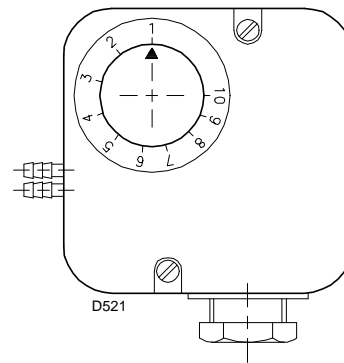


Fig. 38

7.7.6 Maximum gas pressure switch

Adjust the maximum gas pressure switch after having performed all the other burner adjustments with the maximum gas pressure switch set at the end of the scale (Fig. 39).

With the burner operating at MAX output, reduce the adjustment pressure by slowly turning the relative knob anticlockwise until the burner locks out.

Then turn the knob clockwise by 2 mbar and repeat burner firing. If the burner locks out again, turn the knob again clockwise by 1 mbar.

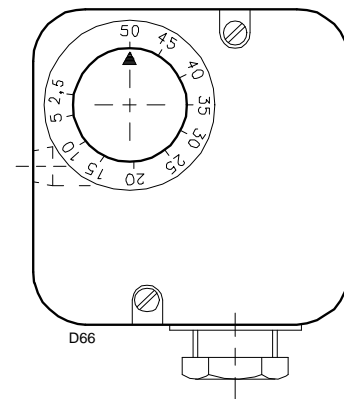


Fig. 39

7.7.7 Minimum gas pressure switch

Adjust the minimum gas pressure switch after having performed all the other burner adjustments with the pressure switch set at the start of the scale (Fig. 40).

With the burner operating at MAX output, increase adjustment pressure by slowly turning the relative knob clockwise until the burner locks out.

Then turn the knob anti-clockwise by 2 mbar and repeat burner starting to ensure it is uniform.

If the burner locks out again, turn the knob anti-clockwise again by 1 mbar.

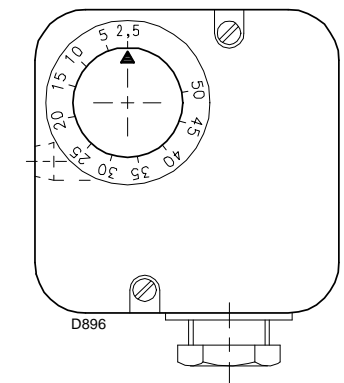


Fig. 40

7.8 Gas combustion checks

CO₂

It is better to set the burner with CO₂ not higher than 10% (gas with Pci 8600 kcal/m³).

This way avoiding a loss of calibration setting (for example draft variation) that could cause combustion with little air and the production of CO.

CO

It must be not higher than 100 mg/kWh.

7.9 Burner operation

NORMAL FIRING

(n° = seconds from instant 0)

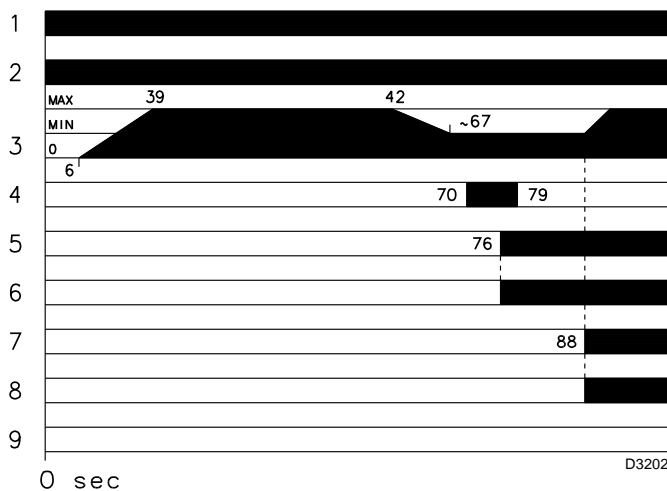


Fig. 41

7.9.1 Burner flame goes out during operation

If the flame should accidentally go out during operation, the burner will lock out within 1s.

NO FIRING

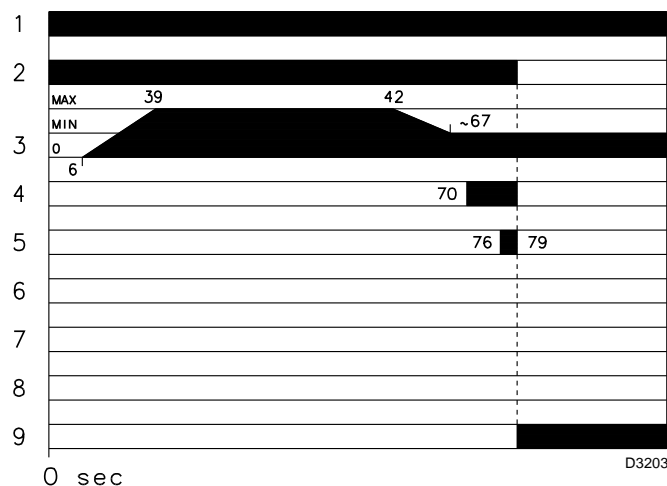


Fig. 42

Key Fig. 41 - Fig. 42

- 1 Thermostat
- 2 Motor
- 3 Air gate valve
- 4 Ignition transformer
- 5 First valve
- 6 First flame
- 7 Second valve
- 8 Second flame
- 9 Lock-out

8 Maintenance

8.1 Notes on safety for the maintenance

The periodic maintenance is essential for the good operation, safety, yield and duration of the burner.

It allows you to reduce consumption and polluting emissions and to keep the product in a reliable state over time.



The maintenance interventions and the calibration of the burner must only be carried out by qualified, authorised personnel, in accordance with the contents of this manual and in compliance with the standards and regulations of current laws.

Before carrying out any maintenance, cleaning or checking operations:



Disconnect the electrical supply from the burner by means of the main system switch.



Close the fuel interception tap.

8.2 Maintenance programme

8.2.1 Maintenance frequency

The combustion system should be checked at least once a year by a representative of the manufacturer or another specialised technician.

8.2.2 Checking and cleaning

Combustion

The optimum calibration of the burner requires an analysis of the flue gases.

Significant differences with respect to the previous measurements indicate the points where more care should be exercised during maintenance.

Combustion head

Open the burner and make sure that all components of the combustion head are in good condition, not deformed by the high temperatures, free of impurities from the surroundings and correctly positioned. If in doubt, extract the internal part 5)(Fig. 44).

UV cell

Clean the glass cover from any dust that may have accumulated. The UV cell 17)(Fig. 6 at page 13) is held in position by a pressure fit and can therefore be removed by pulling it outward forcefully.

Flame inspection window

Clean the flame inspection window (Fig. 43).

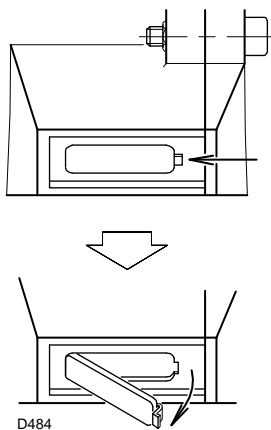


Fig. 43

Fan

Check to make sure that no dust has accumulated inside the fan or on its blades, as this condition will cause a reduction in the air flow rate and provoke polluting combustion.

Servomotor

Disengage the cam 4)(Fig. 36 at page 29) from the servomotor, by pressing and moving button 3)(Fig. 37) towards the right, and turn it backwards and forwards by hand to make sure it moves freely. Now engage the cam again by moving the button 2)(Fig. 37) to the left.

Burner

Check for excess wear or loose screws in the mechanisms controlling the air gate valve and the gas butterfly valve. Also make sure that the screws securing the electrical leads in the burner terminal strip are fully tightened.

Clean the outside of the burner, taking special care with the transmission joints and cam 4)(Fig. 36 at page 29).

Boiler

Clean the boiler as indicated in its accompanying instructions in order to maintain all the original combustion characteristics intact, especially the flue gas temperature and combustion chamber pressure.

GAS OIL OPERATION

Filters

Check the filtering baskets on line and at nozzle present in the system. Clean or replace if necessary.

If rust or other impurities are observed inside the pump, use a separate pump to lift any water and other impurities that may have deposited on the bottom of the tank.

Pump

The delivery pressure must be stable. The depression must be less than 0.4 bar. Unusual noise must not be evident during pump operation.

If the pressure is found to be unstable or if the pump runs noisily, the flexible hose must be detached from the line filter and the fuel must be sucked from a tank located near the burner. This measure permits the cause of the anomaly to be traced to either the suction piping or the pump.

If the pump is found to be responsible, check to make sure that the filter is not dirty. The vacuumeter is installed upstream from the filter and consequently will not indicate whether the filter is clogged or not. Contrarily, if the problem lies in the suction line, check to make sure that the filter is clean and that air is not entering the piping.

Please check that the supply line and filters are clear. The use of a pump vacuum gauge will assist in this. This measure permits the cause of the anomaly to be traced to either the suction line or the pump.

If the problem lies in the suction line, check to make sure that the filter is clean and that air is not entering the piping.

Hoses

- Check periodically the flexible pipes conditions. They have to be replaced at least **every 2 years**.
- In case of use of gas oil and bio fuel blends, it is strongly recommended to inspect **even more frequently** the hoses and replace them where contamination has occurred.
- Check to make sure that the hoses are still in good condition.

Nozzles

Do not clean the nozzle openings; do not even open them. The nozzle filters however may be cleaned or replaced as required.

It is advisable to replace nozzles every year during regular maintenance operations.

Combustion must be checked after the nozzles have been changed.

Fuel tank

If water or contamination is present within the fuel tank, it is essential that this is removed before the equipment is to be used. This is extremely important when gas oil containing Bio diesel is in use. If in doubt about how to achieve this then please contact the fuel or oil tank supplier.

Combustion

In case the combustion values found at the beginning of the intervention do not respect the standards in force or, in any case, do not correspond to a proper combustion, contact the Technical Assistant and have him carry out the necessary adjustments.

EN 267	Excess air		
	Max output $\lambda \leq 1.2$		Min output $\lambda \leq 1.3$
Theoretical max. CO ₂ 0 % O ₂	Calibration CO ₂ %		CO mg/kWh
	$\lambda = 1,2$	$\lambda = 1,3$	
15.2	12.6	11.5	≤ 100

GAS OPERATION

Gas leaks

Make sure that there are no gas leaks on the pipework between the gas meter and the burner.

Gas filter

Change the gas filter when it is dirty.

Combustion

In case the combustion values found at the beginning of the intervention do not respect the standards in force or, in any case, do not correspond to a proper combustion, contact the Technical Assistant and have him carry out the necessary adjustments.

EN 676	Theoretical max. CO ₂ 0 % O ₂	Excess air		
		Max output $\lambda \leq 1,2$		Min output $\lambda \leq 1,3$
GAS	Calibration CO ₂ %	CO		mg/kWh
		$\lambda = 1,2$	$\lambda = 1,3$	
G 20	11.7	9.7	9.0	≤ 100
G 25	11.5	9.5	8.8	≤ 100
G 30	14.0	11.6	10.7	≤ 100
G 31	13.7	11.4	10.5	≤ 100

8.3 Opening the burner



Disconnect the electrical supply from the burner.

- Loosen screws 1)(Fig. 44) and withdraw the cover 2).
- Disconnect the hoses 7)
- Disengage the articulated coupling 8) from the graduated sector 9).

- Remove the screws 10) from the two slide bars 4).
- Fit the two extensions onto the slide bars 4).
- Replace the screws 10) onto the two slide bars.
- Remove screws 3) and pull the burner back by about 100 mm on the slide bars.
- Disconnect the electrode leads and then pull the burner fully back.
- Now extract the internal part 5) after having removed the screw 6).

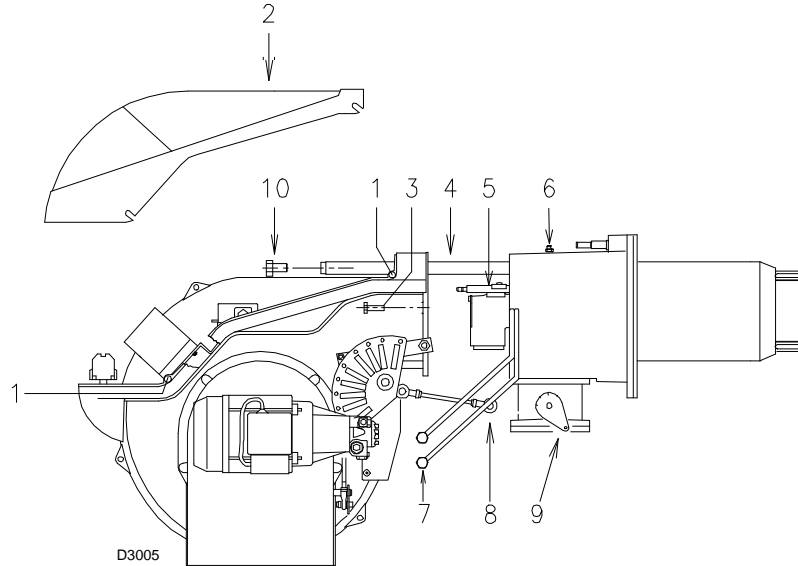


Fig. 44

8.4 Closing the burner

- Push the burner until it is about 100 mm from the sleeve.
- Re-connect the leads and slide in the burner until it comes to a stop.
- Refit screws 3), and pull the probe and electrode leads gently out until they are slightly stretched.
- Re-couple the articulated coupling 8) to the graduated sector 9).
- Reconnect the hoses 7).
- Remove the two extensions from the slide bars 4) and return them to their original position.

9 Faults - Possible causes - Solutions

Find a list of faults, causes and possible solutions for a set of failures that may occur and result in irregular burner operation or no functioning at all.

If a burner malfunction is detected, first of all:

- check that the electrical wiring is adequately connected;
- check whether fuel is delivered;
- check that every adjustment parameter is adequately set.

GAS OIL OPERATION			
SYMBOL (1)	FAULT	PROBABLE CAUSE	SUGGESTED REMEDY
◀	The burner does not start	A limit or safety control device is open	Adjust or replace
		Control box lock-out	Reset
		Fan motor blocked	Reset thermal cut-out
		Oil pressure switch intervenes	Adjust pressure switch or eliminate overpressure
		No electrical power supply	Close all switches - Check connections
		No gas oil	Check the gas oil supply circuit
		Control box fuse blown	Replace
		Pump is jammed	Replace
		Defective motor command control device	Replace
		Defective control box	Replace
		Defective electrical motor	Replace
		The pilot burner does not work	Check
		Defective safety solenoid valve	Replace
		Defective oil modulator	Recondition or replace
The burner does not start and a function lock-out occurs	Flame simulation	Replace control box	
	Photocell short-circuit	Replace photocell	
	2-phase power supply thermal relay trips	Reset thermal cut-out when third phase is re-connected	
▲	The burner starts but stops at maximum air damper setting	Contact 1 of servomotor does not operate	Adjust cam I or replace servomotor
P	The burner starts and then goes into lock-out	Air pressure switch adjusted badly	Adjust
		Pressure switch pressure point pipe blocked	Clean
■	The burner starts and then goes into lock-out	Fault in flame detection circuit	Replace control box
▼	The burner remains in pre-purging phase	Contact III of servomotor does not operate	Adjust cam III or replace servomotor
1	After pre-purge and the safety time, the burner goes to lock-out and the flame does not appear	The solenoid VP1 allows little gas through	Increase
		Solenoid valves VP1 or VP2 fail to open	Renew the coil or rectifier panel
		No fuel in tank; water on tank bottom	Top up fuel level or suck up water
		Inappropriate head and air gate valve adjustments	Adjust
		High voltage cable defective or grounded	Replace
		High voltage cable deformed by high temperature	Replace and protect
		Erroneous valves or transformer electrical connections	Check
		Pump unprimed	Prime
		Pump suction line connected to return line	Correct connection
		Filters dirty (on line 1 at the nozzle)	Clean
		Valves up-line from pump closed	Open
		Incorrect motor rotation direction	Change motor electrical connections
		Gas oil solenoid valves fail to open	Check the connections and the solenoid valves
		Nozzle clogged, dirty, or deformed	Clean or replace
The pilot burner does not work	Check		

GAS OIL OPERATION			
SYMBOL (1)	FAULT	PROBABLE CAUSE	SUGGESTED REMEDY
1		Defective control box	Replace
		Ignition electrode wrongly adjusted	Adjust
		Grounded electrode due to broken insulation	Replace
		Pump/motor coupling broken	Replace
		Ignition transformer defective	Replace
		The flame ignites normally but the burner locks out when the safety time has elapsed	Defective photocell or control box
	Dirty photocell	Clean	
	Smoke in flame - dark Bacharach	Not enough air	Adjust head and fan gate
		Erroneous pump pressure	Adjust
		Nozzle filter clogged	Clean or replace
		Boiler room air vents insufficient	Increase
		Nozzle worn or dirty	Replace
		Flame disk dirty, loose, or deformed	Clean, tighten in place, or replace
	Smoke in flame (yellow Bacharach)	Too much air	Adjust head and air gate
	Firing with pulsations or flame detachment, delayed firing	Poorly adjusted head	Adjust
		Poorly adjusted fan air gate: too much air	Adjust
		Nozzle unsuited for burner or boiler	See Nozzle Table
		Defective nozzle	Replace
		Inappropriate pump pressure	Adjust
		Poorly adjusted or dirty firing electrodes	Adjust
		Output during ionisation phase is too high	Reduce
	The burner does not pass to 2nd stage	Control device TR does not close	Adjust or replace
		Defective control box	Replace
	Uneven fuel supply	Check if cause is in pump or in the fuel supply system	Feed the burner from a tank located nearby
	Rusty pump internal parts	Water in tank	Suck water from tank bottom with separate pump
	Noisy pump, unstable pressure	Air has entered the suction line	Tighten connectors
		Depression value too high (higher than 35 cm Hg):	
		Tank/burner height difference too great	Feed burner with loop circuit
		Piping diameter too small	Increase
		Suction filters clogged	Clean
		Suction valves closed	Open
		Paraffin solidified due to low temperature	Add additive to gas oil
	Pump unprimes after prolonged pause	Return pipe not immersed in fuel	Bring to same height as suction pipe
		Air enters suction piping	Tighten connectors
	Pump leaks gas oil	Leakage from sealing organ	Replace pump
	Dirty combustion head	Nozzle or filter dirty	Replace
		Unsuitable nozzle delivery or angle	See recommended nozzles
		Loose nozzle	Tighten
		Impurities on flame stability disk	Clean
		Erroneous head adjustment or not enough air	Adjust, open air damper
		Blast tube length unsuited to boiler	Contact boiler manufacturer
I	During operation, the burner stops in lock out	Dirty or defective photocell	Clean or replace
		Defective air pressure switch	Replace

(1) The control box is fitted with a disc rotates during the firing programme, which can be seen through the transparent lock-out reset button.

When the burner does not fire or comes to a half following a fault, the symbol which appears behind the reset button indicates the type of problem.

GAS OPERATION			
SYMBOL (1)	FAULT	PROBABLE CAUSE	SUGGESTED REMEDY
◀	The burner does not start	No electrical power supply	Close all switches and check connections
		A limiter or safety control device is open	Adjust or replace
		Control box lock-out	Reset control box
		Control box fuse blown	Replace (2)
		Erroneous electrical connections	Check
		Defective control box	Replace
		No gas supply	Open the manual valves between meter and train
		Mains gas pressure insufficient	Contact your GAS COMPANY
		Minimum gas pressure switch fails to close	Adjust or replace
		Air pressure switch in operating position	Adjust or replace
	Contact (locking cam) of servomotor does not operate	Adjust locking cam or replace servomotor	
	The burner does not start and a function lock-out occurs	Flame simulation	Replace control box
		Defective motor command control device	Replace
		Defective electrical motor	Replace
Motor protection tripped		Reset thermal cut-out	
▲	The burner starts but stops at maximum air damper setting	Contact of servomotor does not operate	Adjust cam or replace servomotor
P	The burner starts and then goes into lock-out	Air pressure switch inoperative due to insufficient air pressure:	
		Air pressure switch adjusted badly	Adjust or replace
		Pressure switch pressure point pipe blocked	Clean
		Poorly adjusted head	Adjust
		Dirty fan	Clean
		High negative draft in chamber	Ask our technical office
■	The burner starts and then goes into lock-out	Fault in flame detection circuit	Replace control box
▼	The burner remains in pre-purging phase	Contact servomotor does not operate	Adjust cam or replace servomotor
1	After pre-purge and the safety time, the burner goes to lock-out and the flame does not appear	The solenoid VP1 allows little gas through	Increase
		Solenoid valves VP1 or VP2 fail to open	Renew the coil or rectifier panel
		Gas pressure too low	Increase pressure at governor
		Ignition electrode wrongly adjusted	Adjust
		Grounded electrode due to broken insulation	Replace
		High voltage cable defective or grounded	Replace
		High voltage cable deformed by high temperature	Replace and protect
		Ignition transformer defective	Replace
		Erroneous valves or transformer electrical connections	Repeat connection
		Defective control box	Replace
		A cock down-line of the gas train is closed	Open
		Air in pipework	Bleed air
		The burner goes to lock-out right after flame appearance	The solenoid VP1 or VP2 allows little gas through
	Dirty flame sensor		Check, replace flame sensor
	Defective connection		Check, replace flame sensor
	Insufficient deflection current (min.70 µA)		Measure current, replace flame sensor
	Exhausted, defective flame sensor		Replace
	Max. gas pressure switch operates		Adjust or replace
	Defective control box		Replace

GAS OPERATION			
SYMBOL ⁽¹⁾	FAULT	PROBABLE CAUSE	SUGGESTED REMEDY
	The burner repeats the starting cycle without lock out	Mains gas pressure is near the valve to which the min. gas pressure switch gas is adjusted. The repeated drop in pressure which follows valve opening causes temporary opening of the pressure switch itself, the valve immediately closes and the burner comes to a halt. Pressure increases again, the pressure switch closes again and the firing cycle is repeated. And so on.	Reduce operating pressure of minimum gas pressure switch. Replace gas filter
	Lock out without symbol indication	Flame simulation	Replace control box
	During operation, the burner stops in lock out	Defective flame sensor	Replace worn parts
		Fault on air pressure switch	Replace
		Max. gas pressure switch operates	Adjust or replace
◀	Lock out when burner stops	Flame remains in combustion head or flame simulation	Eliminate persistence of flame or replace control box
	Ignition with pulsation	Poorly adjusted head	Adjust
		Ignition electrode wrongly adjusted	Adjust
		Poorly adjusted fan air gate: too much air	Adjust
		Output during ionisation phase is too high	Reduce

- (1) The control box is fitted with a disc rotates during the firing programme, which can be seen through the transparent lock-out reset button.
When the burner does not fire or comes to a halt following a fault, the symbol which appears behind the reset button indicates the type of problem.
- (2) The fuse is located in the rear part of the control box. A pull-out fuse is also available as a spare part which can be fitted after breaking the tag on the panel which holds in place.

A Appendix - Accessories (optional)

OUTPUT POWER REGULATOR KIT RWF 40

With the modulating operation, the burner continually adapts the power to the request for heat, ensuring great stability for the parameter controlled: temperature or pressure.

Two components should be ordered:

- the output regulator to install on the burner
- the probe to install on the heat generator

Parameter to control		Probe		Output power regulator	
	Range	Type	Code	Type	Code
Temperature	- 100...+ 500°C	PT 100	3010110	RWF40	3010212
Pressure	0...2.5 bar	Probe with output 4...20 µA	3010213		
	0...16 bar		3010214		

POTENTIOMETER KIT

Depending on the servomotor fitted to the burner, a three-pole potentiometer (1000 Ω) can be installed to check the position of the servomotor.

Burner	Code
RLS 160/M MX	3010021

EXTENDED HEAD KIT

“Standard head” burners can be transformed into “extended head” versions, by using the special kit. The kits available for the various burners, giving the original and the extended lengths, are listed below.

Burner	Code
RLS 160/M MX	3010441

DEGASSING UNIT

It may occur that a certain amount of air is contained in the fuel sucked up by the pump.

This air may originate from the fuel itself as a consequence of de-pressurisation or air leaking past imperfect seals.

In double-pipe systems, the air returns to the tank from the return pipe; in single-pipe systems, the air remains in circulation causing pressure variations in the pump and burner malfunctions.

For this reason, we advise installing a degassing unit near the burner in single-pipe installations.

Degassing units are provided in two versions:

Burner	Code
RLS 160/M MX (without filter)	20034277
RLS 160/M MX (with filter)	20034281

Degassing unit characteristics

Burner output	80 kg/h max
Fuel pressure	0.7 bar max
Ambient temperature	40 °C max
Fuel temperature	40 °C max
Attachment connectors (without filter)	FF G 1/4 tank side FM G 3/8 conic burner side
Attachment connectors (with filter)	FF G 3/8 tank side FM G3/8 conic burner side

SPACER KIT

If burner head penetration into the combustion chamber needs reducing, varying thickness spacers are available, as given in the following table.

Burner	Code
RLS 160/M MX	3000722

SOUND PROOFING BOX

If noise emission needs reducing even further, sound-proofing boxes is available.

Burner	Box type	Average noise reduction [dB(A)]	Code
RLS 160/M MX	C7	10	3010376

CONTINUOUS VENTILATION KIT

If the burner requires continuous ventilation in the stages without flame, a special kit is available as given in the following table.

Burner	Code
RLS 160/M MX	3010094

HEAD KIT FOR REVERSE FLAME CHAMBER

In certain cases, the use of the burner on reverse flame boilers can be improved by using an additional Pipes Kit.

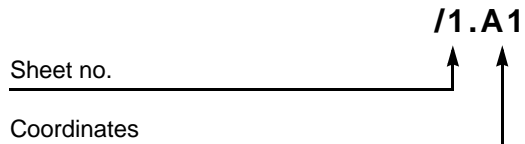
Burner	Code
RLS 160/M MX	3010249

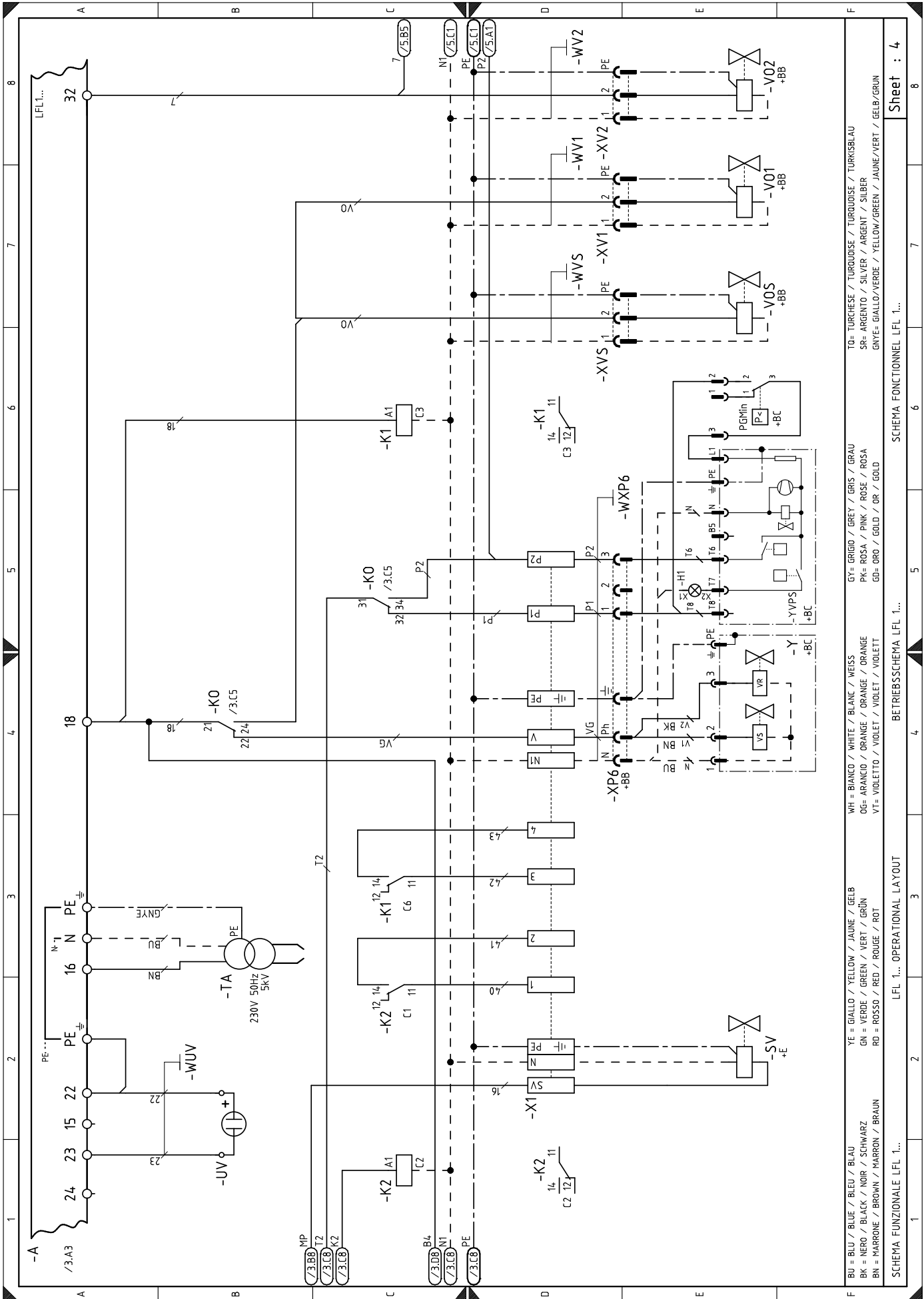
GAS TRAINS APPROVED ACCORDING TO EN 676

Refer to the instruction manual.

B Appendix - Electrical panel layout

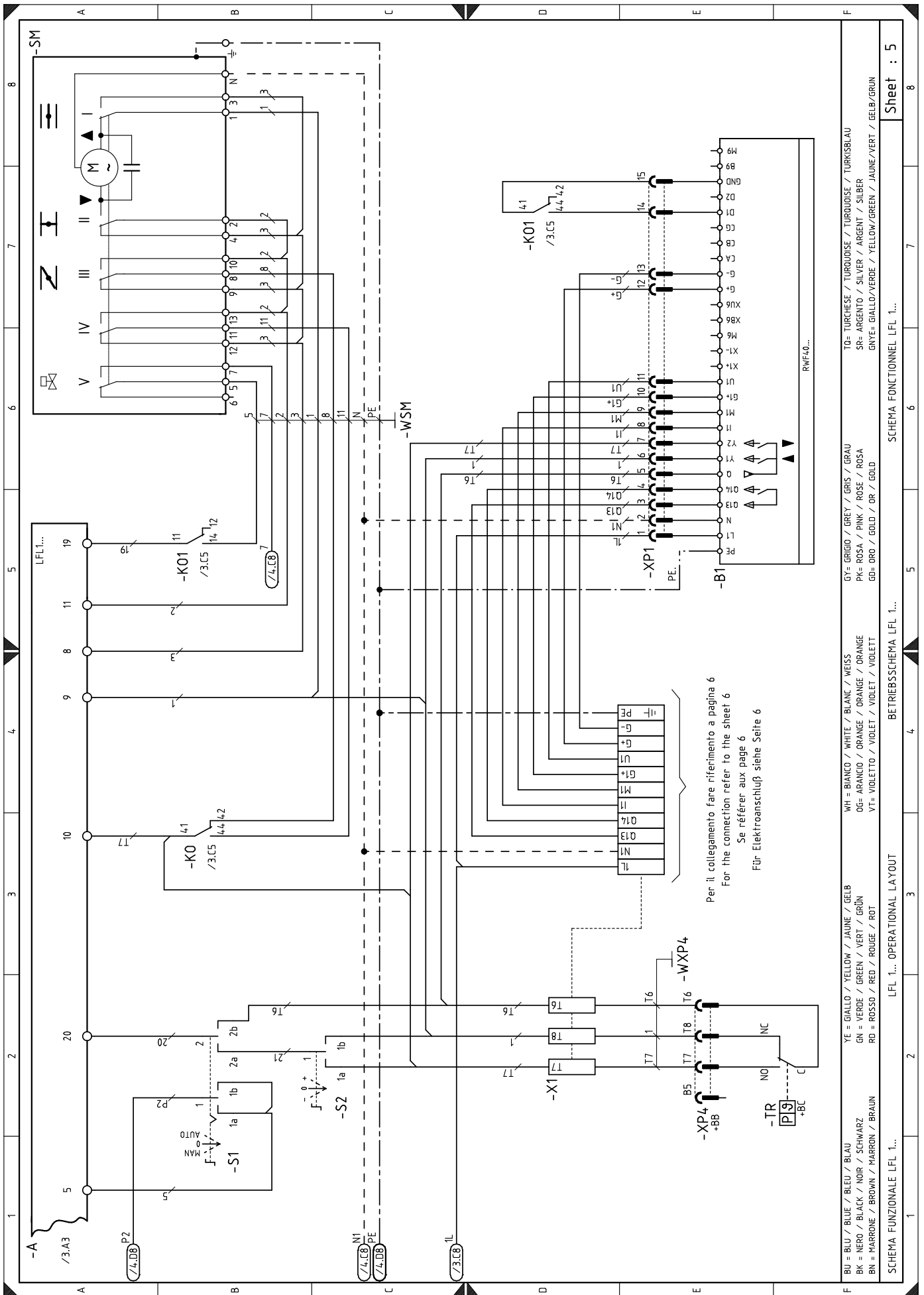
1	Index of layouts
2	Reference layout
3	LFL 1... operational layout
4	LFL 1... operational layout
5	LFL 1... operational layout
6	Electrical connections set by installer
7	RWF40... operational layout

2 Reference layout



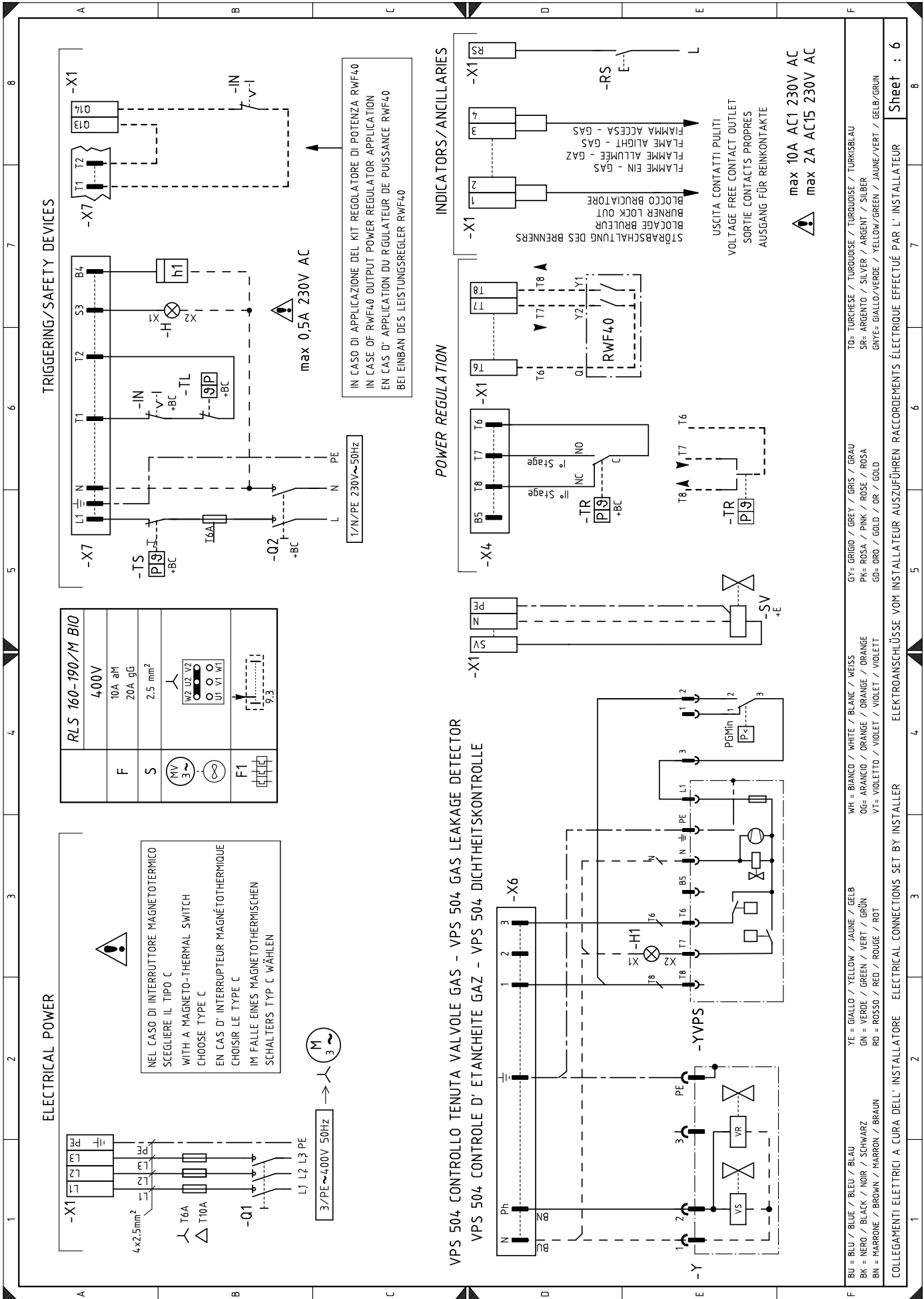
YE = GIALLO / YELLOW / JAUNE / GELB
 GN = VERDE / GREEN / VERT / GRÜN
 RD = ROSSO / RED / ROUGE / ROT
 BU = BLU / BLUE / BLEU / BLAU
 BK = NERO / BLACK / NOIR / SCHWARZ
 BN = MARRONE / BROWN / MARRON / BRAUN
 WH = BIANCO / WHITE / BLANC / WEISS
 OG = ARANCIO / ORANGE / ORANGE / ORANGE
 VT = VIOLETTA / VIOLET / VIOLET / VIOLETT
 GY = GRIGIO / GREY / GRIS / GRAU
 PK = ROSA / PINK / ROSE / ROSA
 GD = ORO / GOLD / OR / GOLD
 TD = TURCHESE / TURQUOISE / TURQUOISE / TURKISBLAU
 SR = ARGENTO / SILVER / ARGENT / SILBER
 GNYE = GIALLO/VERDE / YELLOW/GREEN / JAUNE/VERT / GELB/GRÜN

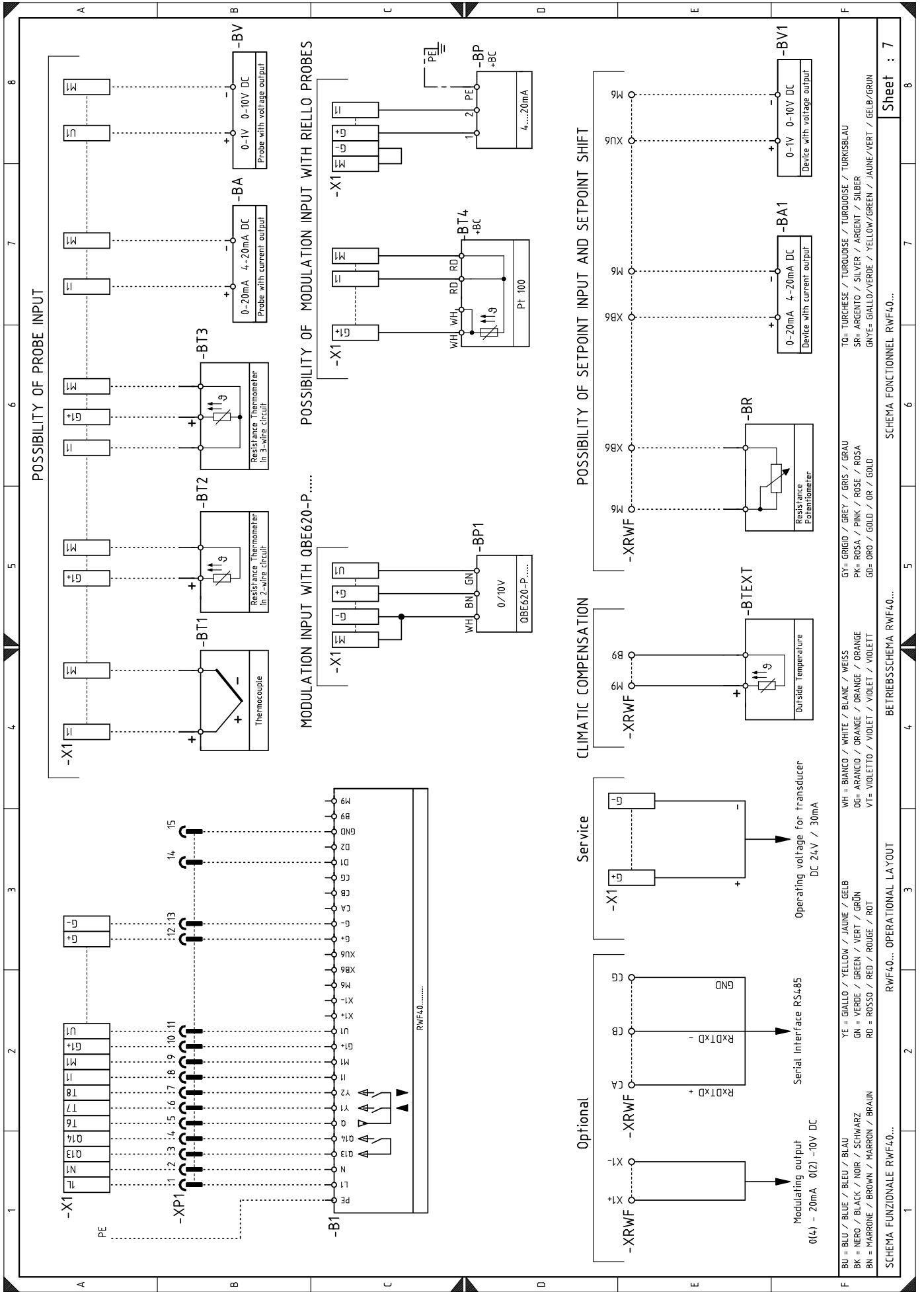
SCHEMA FUNZIONALE LFL 1...
 LFL 1... OPERATIONAL LAYOUT
 BETRIEBSSCHEMA LFL 1...
 SCHEMA FONCTIONNEL LFL 1...



Per il collegamento fare riferimento a pagina 6
 For the connection refer to the sheet 6
 Se référer aux page 6
 Für Elektroanschluss siehe Seite 6

BU = BLU / BLUE / BLEU / BLAU	YE = GIALLO / YELLOW / JAUNE / GELB	WH = BIANCO / WHITE / BLANC / WEISS	GY = GRIGIO / GREY / GRIS / GRAU	TO = TURCHESE / TURQUOISE / TURKOISE / TURKISBLAU
BK = NERO / BLACK / NOIR / SCHWARZ	GN = VERDE / GREEN / VERT / GRÜN	OG = ARANCIO / ORANGE / ORANGE / ORANGE	PK = ROSA / PINK / ROSE / ROSA	SR = ARGENTO / SILVER / ARGENT / SILBER
BN = MARRONE / BROWN / MARRON / BRAUN	RD = ROSSO / RED / ROUGE / ROT	VT = VIOLETTA / VIOLET / VIOLET / VIOLETT	GD = ORO / GOLD / OR / GOLD	GNVE = GIALLO/VERDE / YELLOW/GREEN / JAUNE/VERT
SCHEMA FUNZIONALE LFL 1... LFL 1... OPERATIONAL LAYOUT BETREIBSSCHEMA LFL 1... SCHEMA FONCTIONNEL LFL 1...				
				Sheet : 5





Key to layouts

A	Control box
B	Protection against radio interference
B1	Output power regulator RWF40
BA	DC input 4...20 mA
BA1	DC input 4...20 mA for modifying the remote setpoint
+BB	Burners components
+BC	Boiler components
BP	Pressure probe
BP1	Pressure probe
BR	Remote setpoint voltage divider
BT1	Thermocouple probe
BT2	Probe Pt100 with 2 wires
BT3	Probe Pt100 with 3 wires
BT4	Probe Pt100 with 3 wires
BTEXT	External probe for the climatic compensation of the setpoint
BV	DC voltage input 0...10 V
BV1	DC voltage input 0...10 V for modifying the remote setpoint
F1	Fan motor thermal cut-out
H	Remote lock-out signal
IN	Burner manual stop switch
K1	Burner on voltage free contact relay
K2	Burner lock-out voltage free contact relay
KM	Motor contactor
KMP	Relay
KO	Relay
KO1	Relay
MP	Pump motor
MV	Fan motor
PA	Air pressure switch
PE	Burner ground
PGMin	Minimum gas pressure switch
PGM	Maximum gas pressure switch
Q1	Three-phase disconnect switch
Q2	Single-phase disconnect switch
RS	Remote lock-out reset button
S1	Switch for following operations: off - automatic - manual
S2	Button for: power increase/reduction
S3	Oil/gas selector
SM	Servomotor
SV	External oil valve
TA	Ignition transformer
TL	Limit pressure switch/thermostat
TR	Control pressure switch/thermostat
TS	Safety pressure switch/thermostat
UV	UV cell
VS	Safety valve
V1	1st stage adjustment valve
V2	2nd stage adjustment valve
Y	Gas adjustment valve + gas safety valve
YVPS	Gas leak detection control device
X1	Main supply terminal strip
XPGM	Maximum gas pressure switch connection plug
XP1	Socket for kit
XRWF	RWF40 terminal strip

RIELLO

RIELLO S.p.A.
I-37045 Legnago (VR)
Tel.: +39.0442.630111
[http:// www.riello.it](http://www.riello.it)
[http:// www.rielloburners.com](http://www.rielloburners.com)